

FIXED WINDOW

www.eswindows.com

ES-MX1500

System description

- ES-MX1500 is an impact-rated fixed window.
- LMI (Large missile impact) and SMI (Small missile impact).
- Frame depth: 2 5/16".
- Designed for 5/16" annealed glass and 7/16" heat strengthened glass.

Features

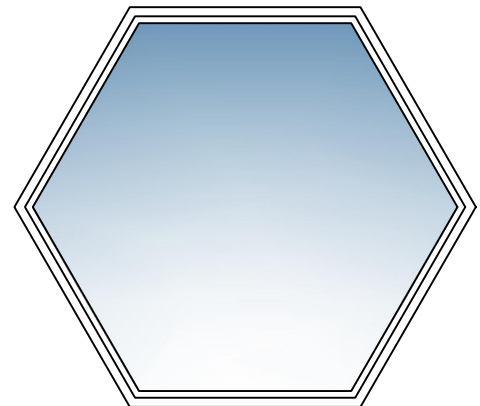
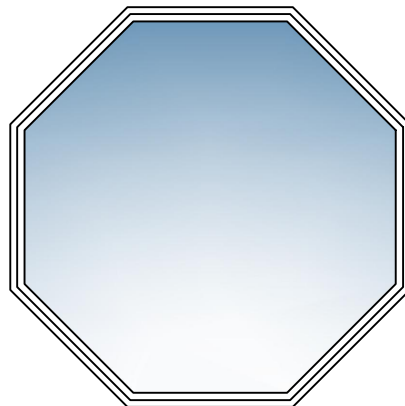
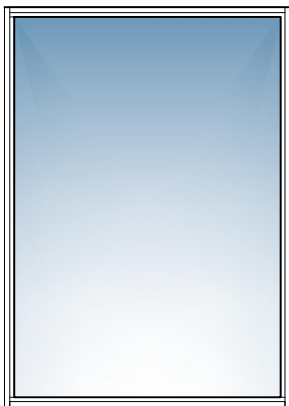
- Flange frame available.
- Low-E Solarban 70 available.
- PVB laminated glass with coating options available.
- Architectural shapes available.

Test & Certifications

- Water infiltration: 15 psf.
- Design load:
+70/-80 psf. (LMI) +100/-140 psf. (SMI)

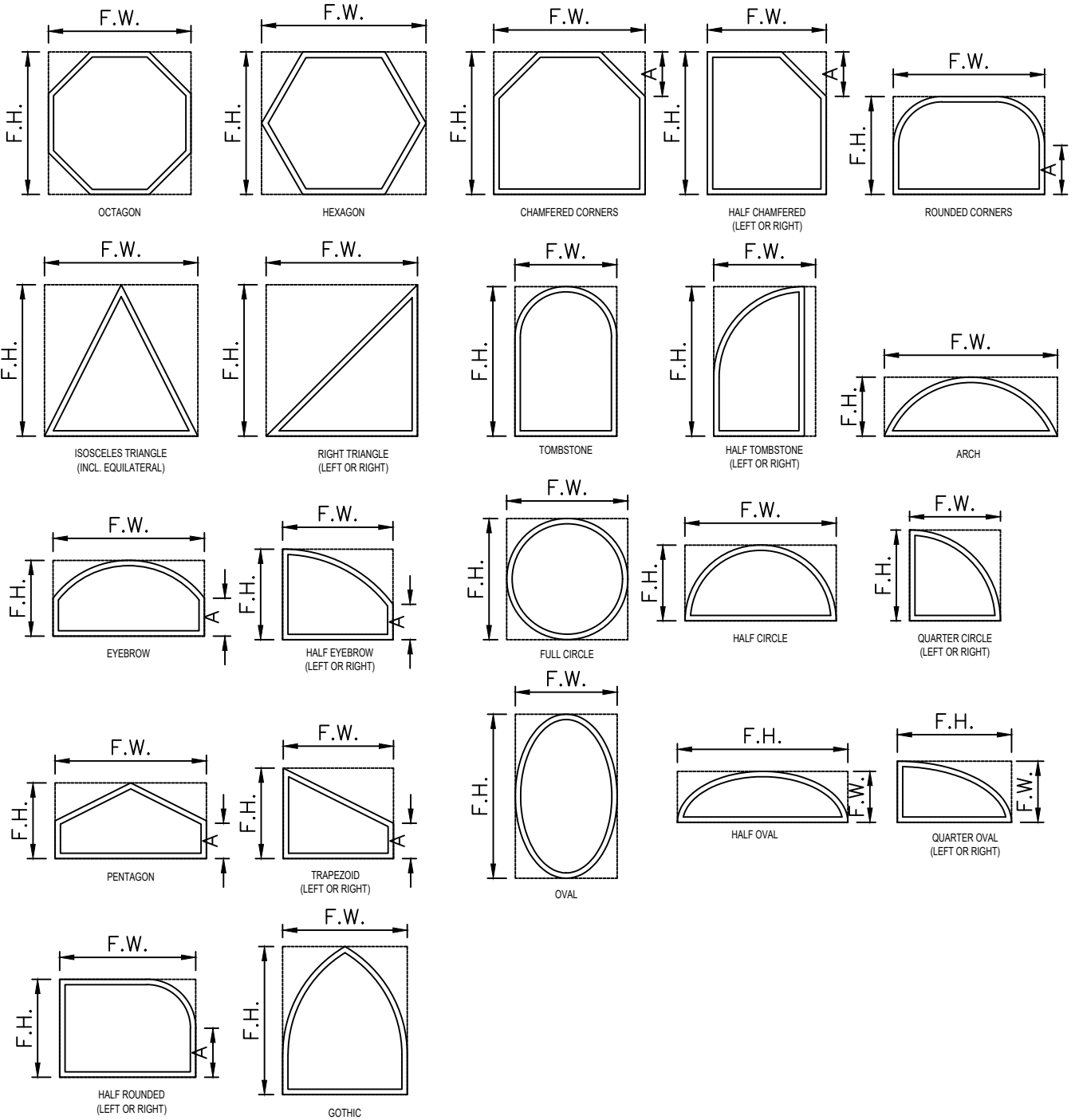


Configurations

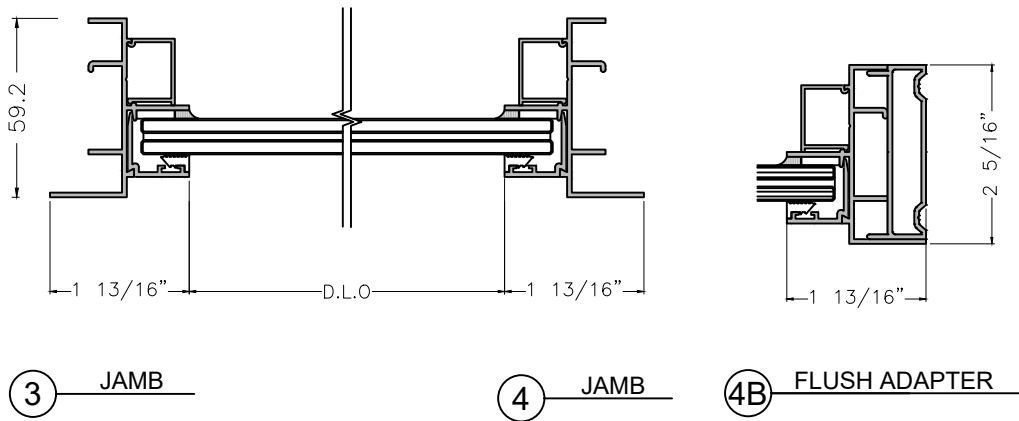
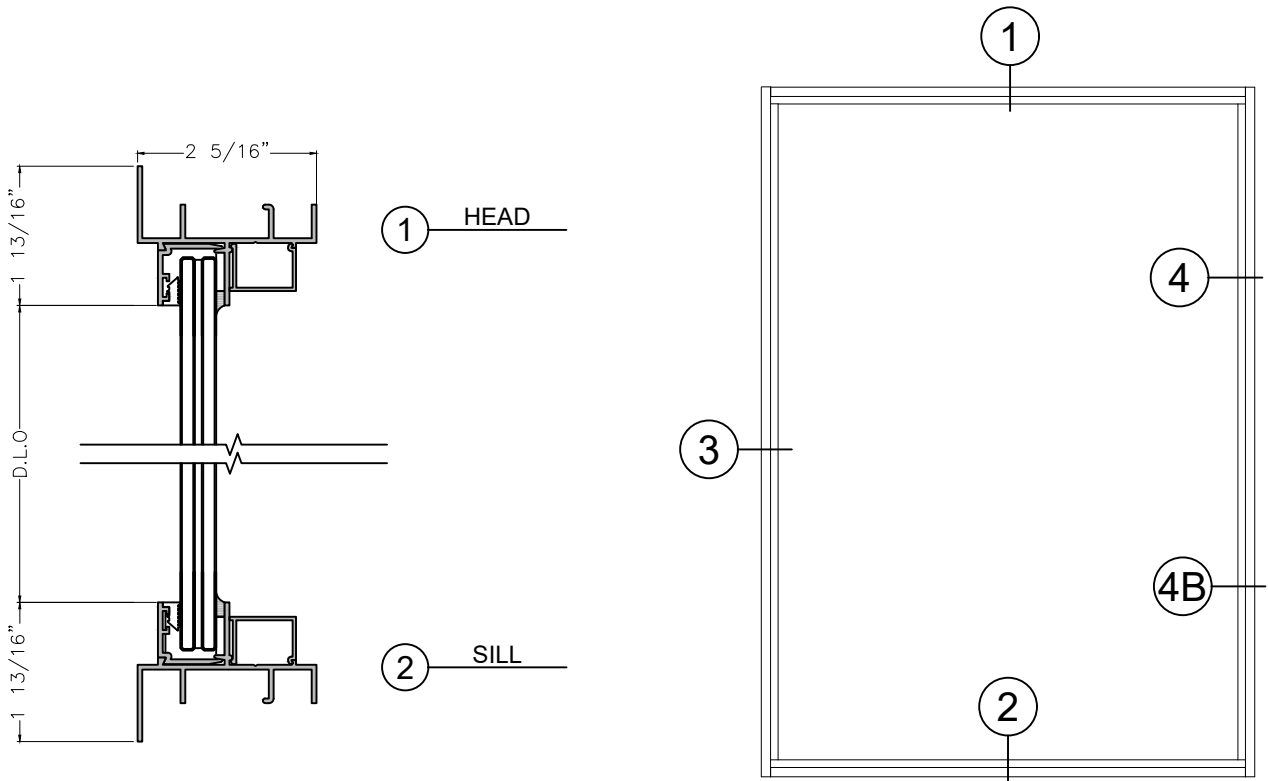


SEE PAGE TWO FOR SHAPES AVAILABLE

Shapes available

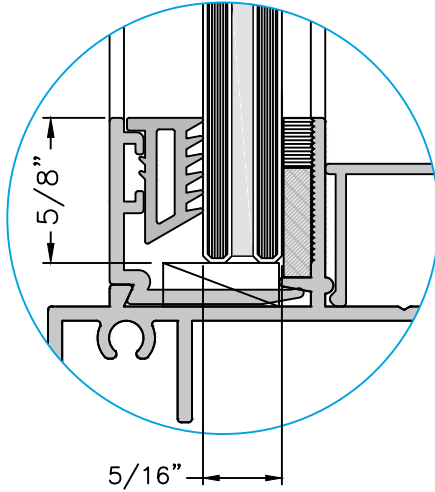


Shapes available



Glazing options

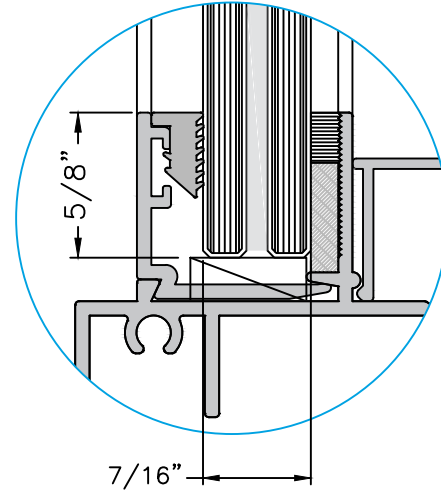
Laminated glass



Designed for 5/16" laminated glass:

1/8" ANN + 0.09 PVB + 1/8" ANN

Laminated glass



Designed for 7/16" laminated glass:

3/16" HS + 0.09 PVB + 3/16" HS

GLASS FINISH:

PAINTED, SERIGRAPHY, DIGITAL PRINTED

For more information please contact TECNOGLASS® or visit www.tecnoglass.com

Aluminum

ALLOY 6063-T6
ALLOY 6005-T5

For further information about aluminum and finishes, consult ALUTIONS®.

Sealant

APROVED SILICONE SEALS:

WEATHERPROOFING SILICONE:

Used to seal profile unions to avoid air and water infiltration.

- Dowsill 791

STRUCTURAL SILICONE:

Besides acting as a sealant it is capable to support high loads. This silicone is commonly used to support the glass in facades and hurricane resistant products.

- Dowsill 983
- Dowsill 995

Measurements

Maximum sizes:

Maximum size: 36" x 120"
Minimum size: 15" x 15"