

SLIDING GLASS DOOR

www.eswindows.com

ES-SGD2020



System Description

- Frame depth 2 track: 4 3/8".
3 track: 6 7/16", 4 track: 8 1/2".
- Designed for: 9/16" laminated and 1 1/16" insulated-laminated glass.

Features

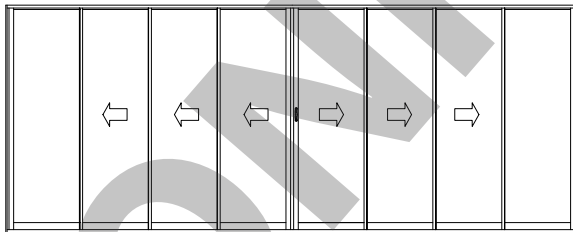
- High quality adjustable roller.
- Screens & corners options available.
- ADA sill option available.
- 2, 3, 4 and 5 track options available.

Test

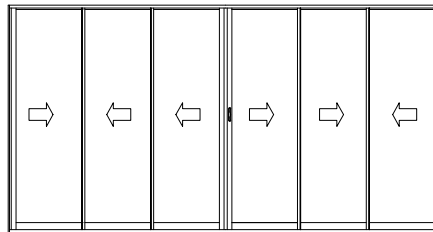
- Design loads: +65/- 65 PSF.
- Water infiltration: 12 PSF.
- Air infiltration: 6.24 PSF.

Configurations

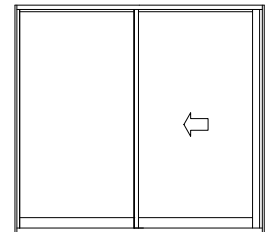
Four Tracks



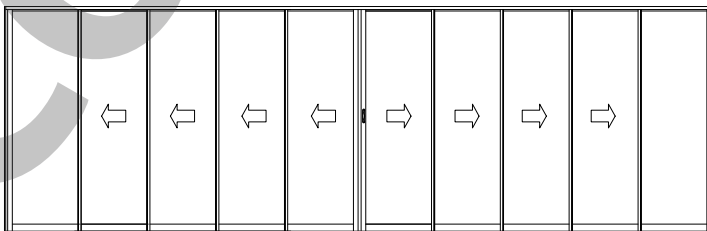
Three Tracks



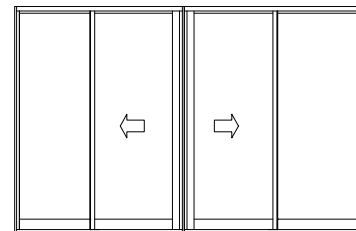
Two Tracks



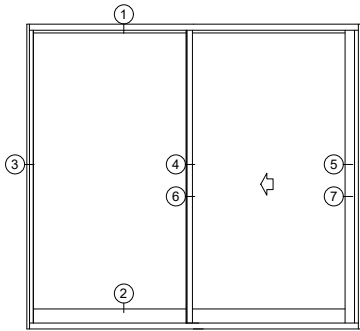
Five Tracks



Corner

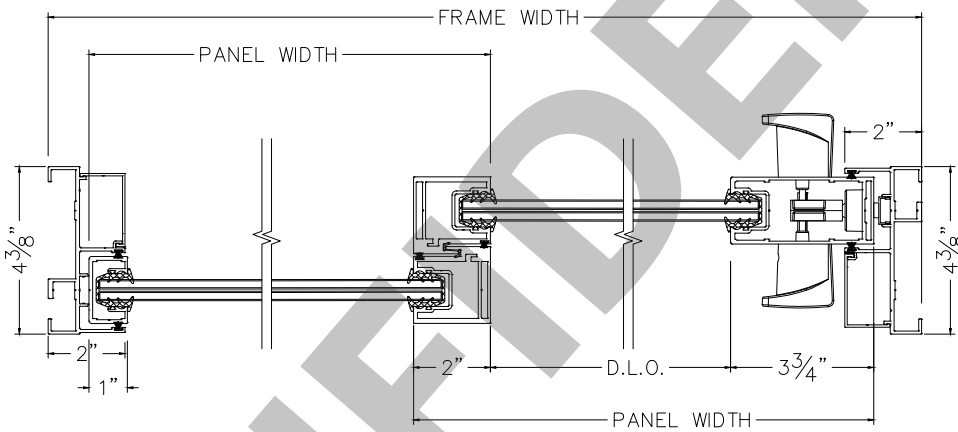
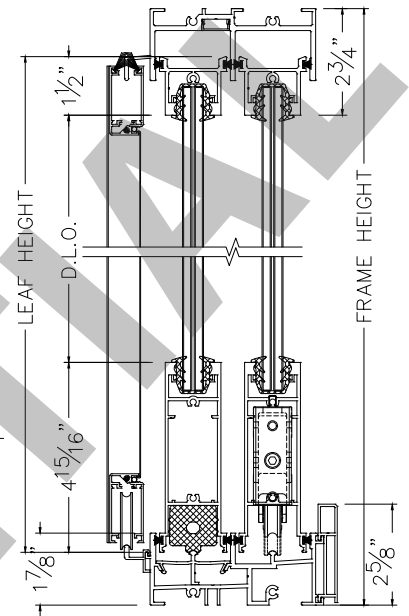


2 TRACKS



1 HEAD

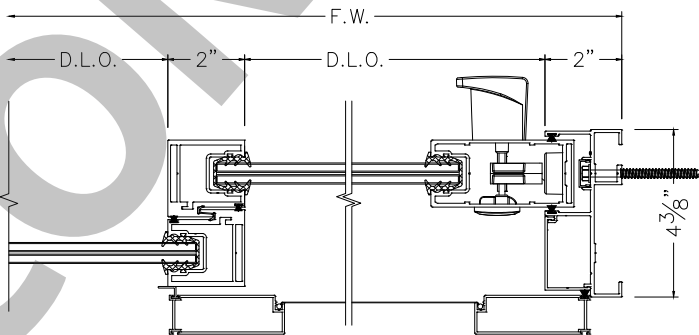
2 SILL
SCREEN OPTIONAL



3 JAMB

4 INTERLOCK

5 JAMB



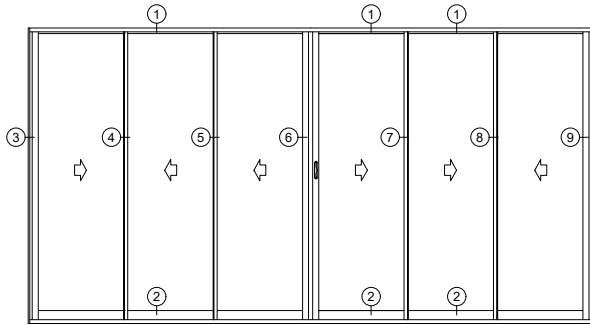
6 INTERLOCK

7 JAMB

System details

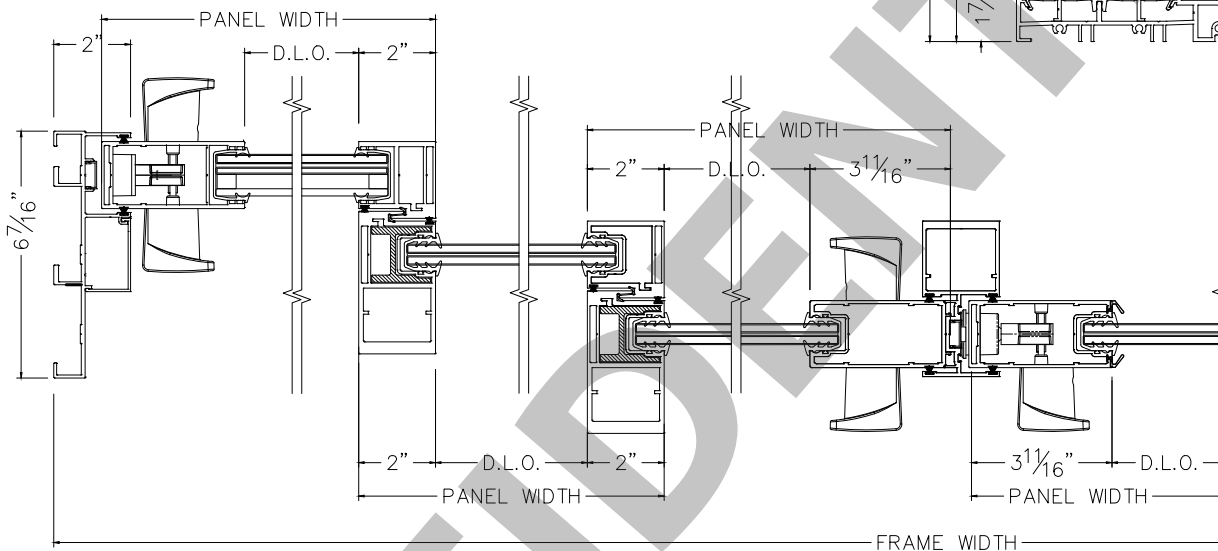
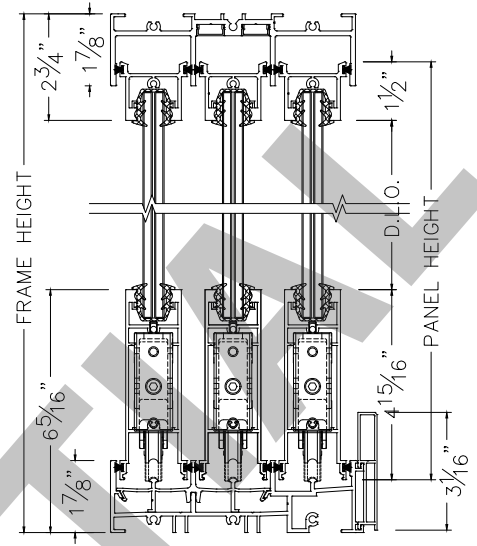
ES-SGD2020

3 TRACKS



1 HEAD

2 SILL

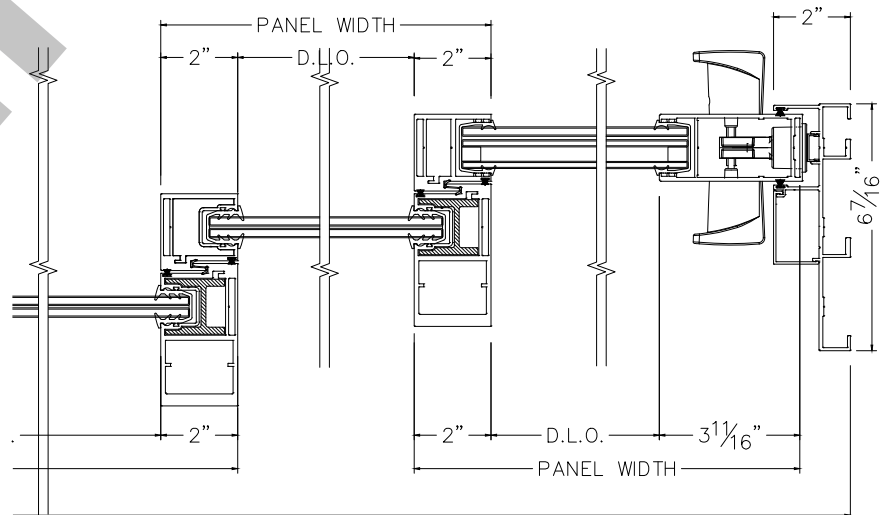


3 JAMB

4 INTERLOCK

5 INTERLOCK

6 ASTRAGAL



7 INTERLOCK

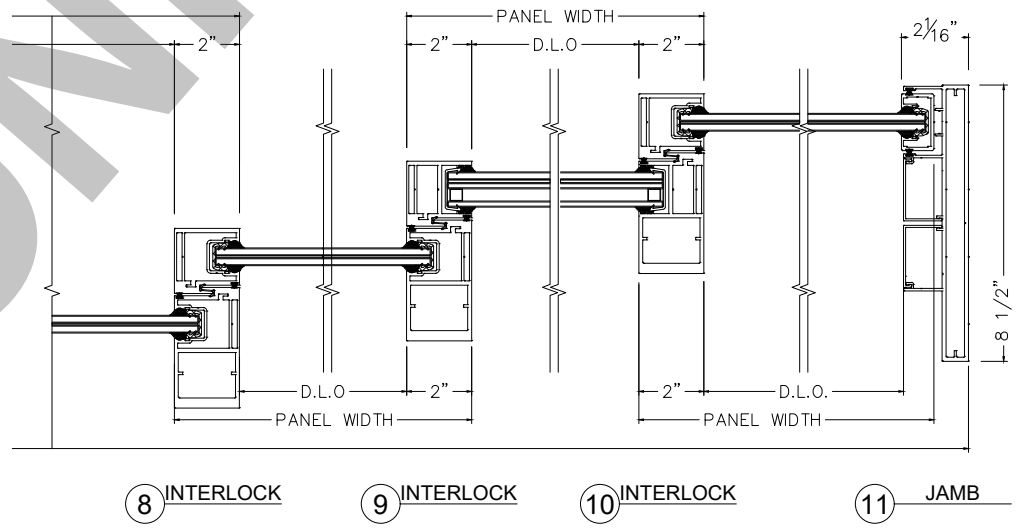
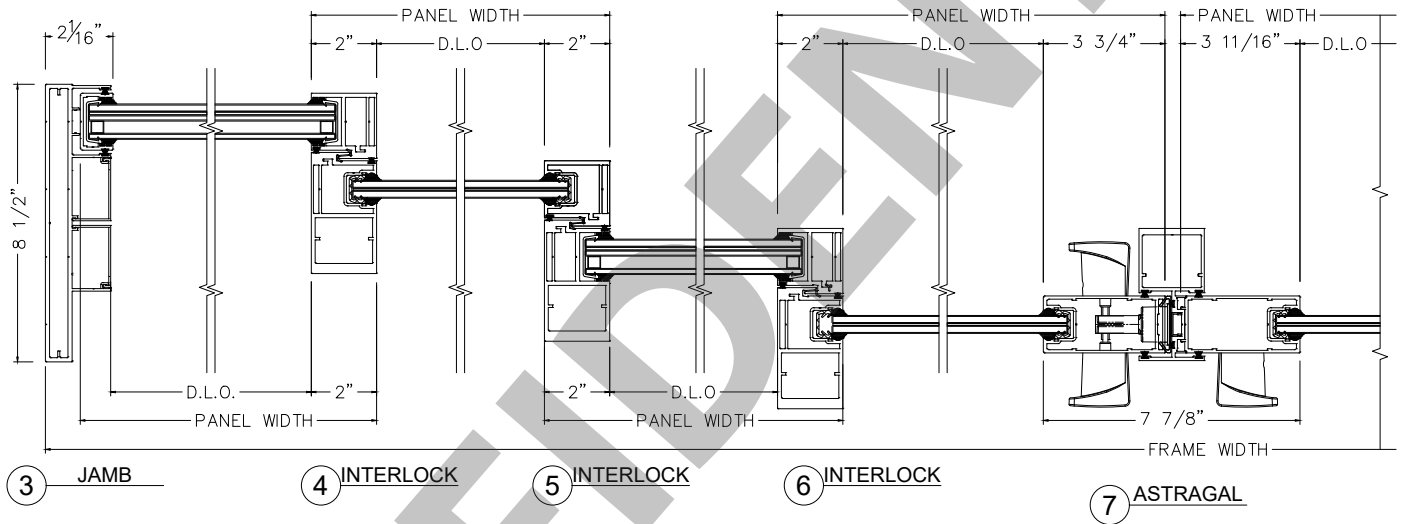
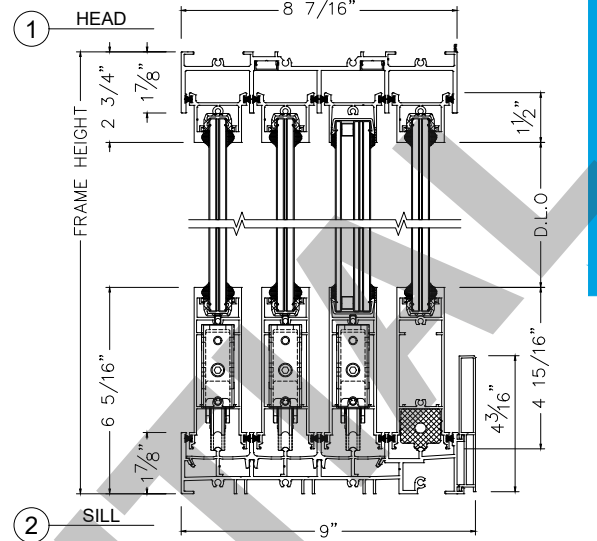
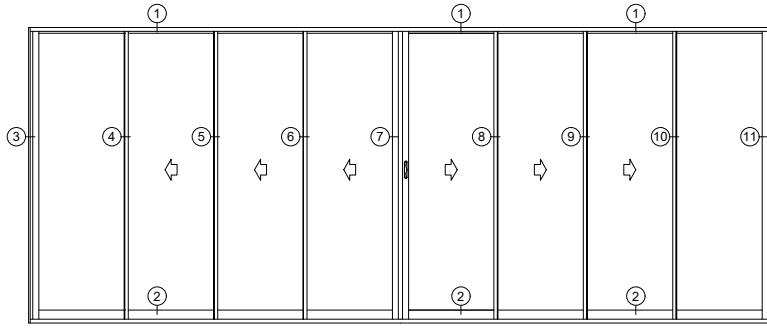
8 INTERLOCK

9 JAMB

System details

ES-SGD2020

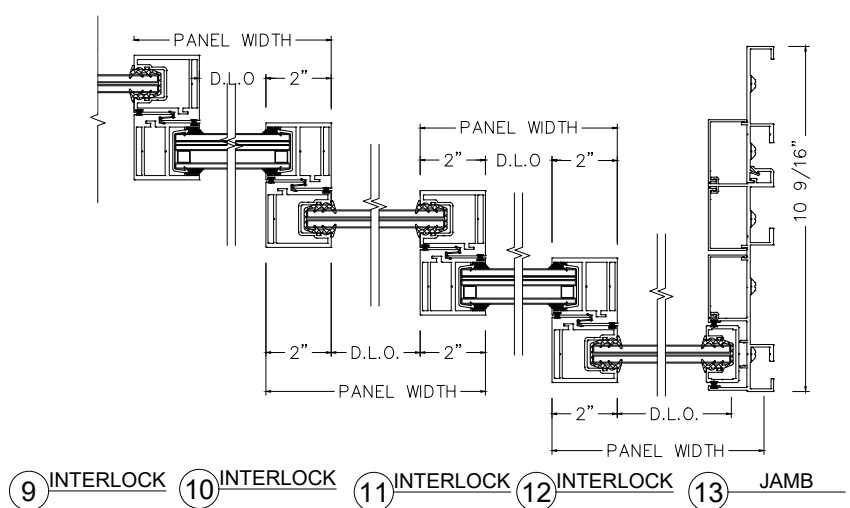
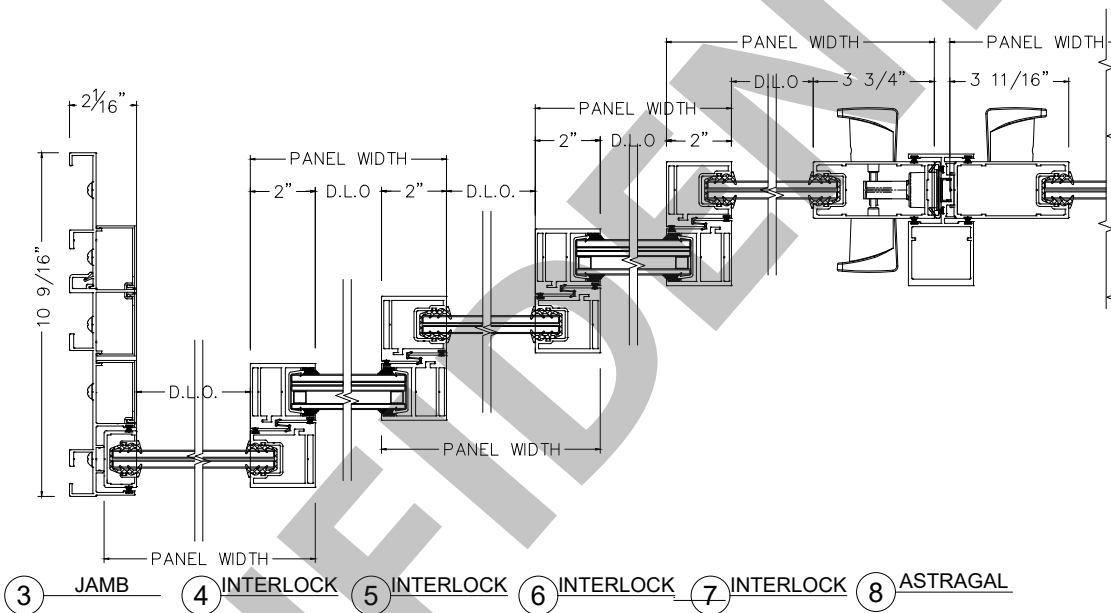
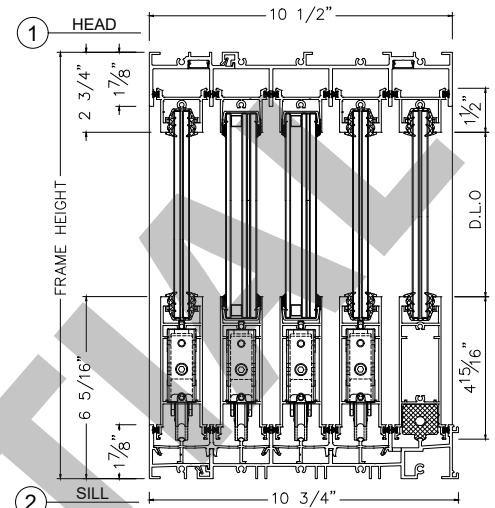
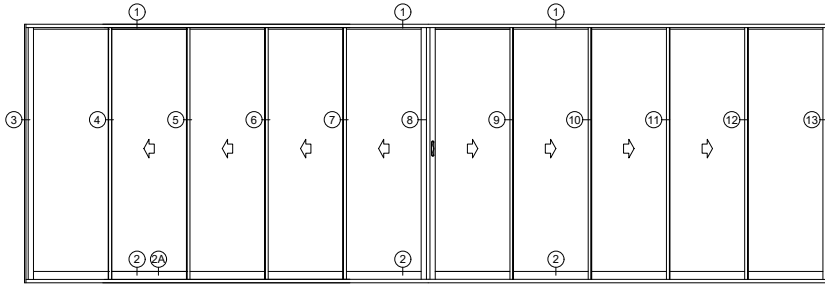
4 TRACKS



System details

ES-SGD2020

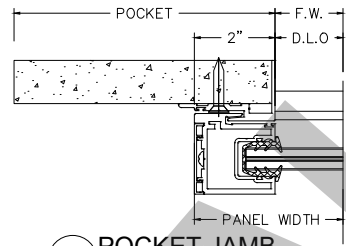
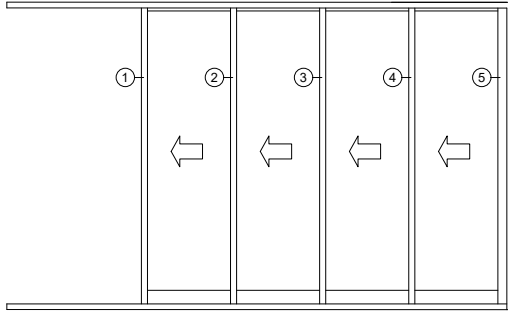
5 TRACKS



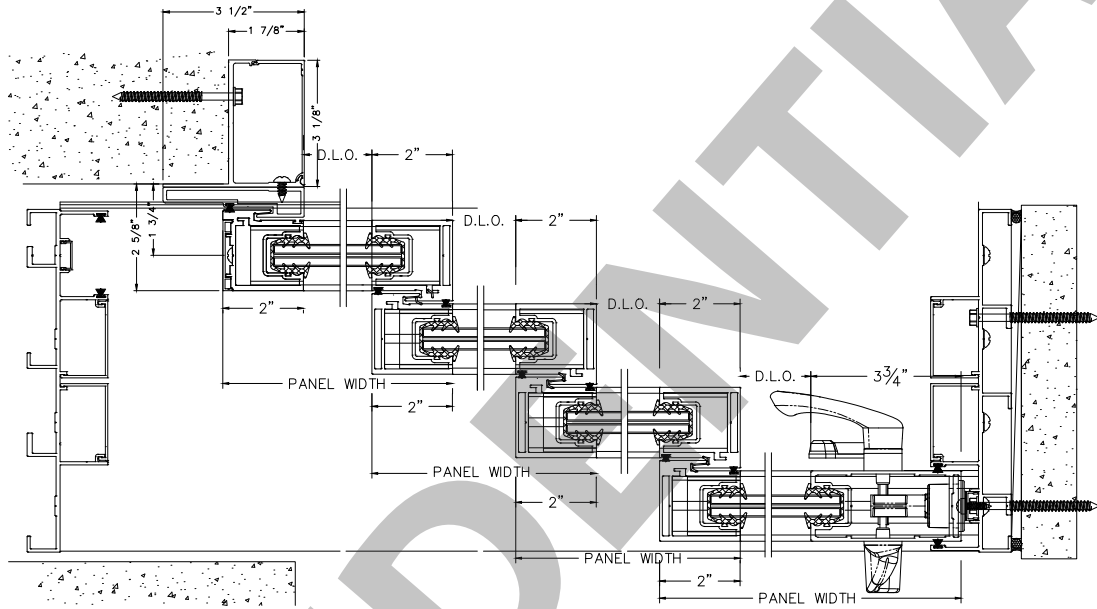
System details

ES-SGD2020

POCKET

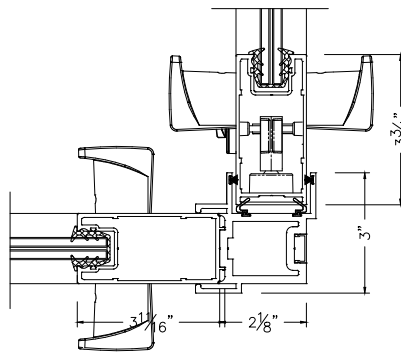
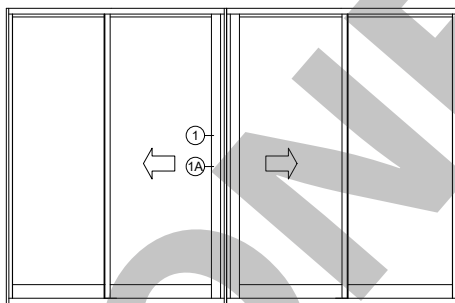


1A POCKET JAMB

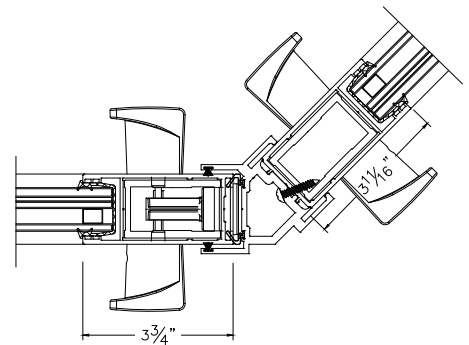


1 POCKET JAMB 2 INTERLOCK 3 INTERLOCK 4 INTERLOCK 5 JAMB

CORNERS



1 90 CORNER

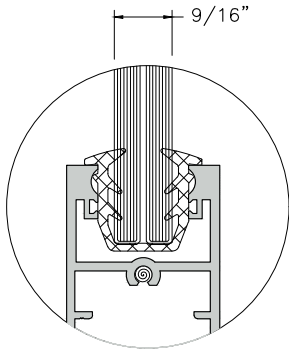


1A 135 CORNER

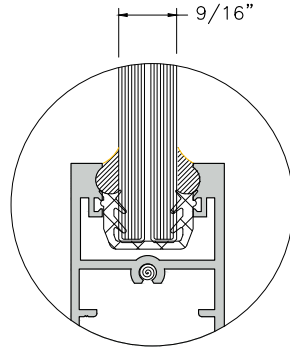
Glazing Options

Small missile impact

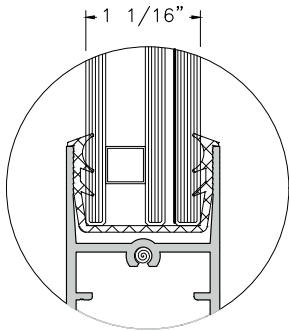
Large missile impact



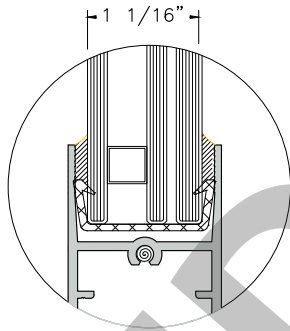
GLASS TYPE - G1 (SMI)



GLASS TYPE - G2 (LMI)



GLASS TYPE - G3 (SMI)



GLASS TYPE - G4 (LMI)

For more information contact TECNOGLASS® or visit www.tecnoglass.com

G1: 1/4" Heat Stren'd + 0.09" Interlayer + 1/4" Heat Stren'd.

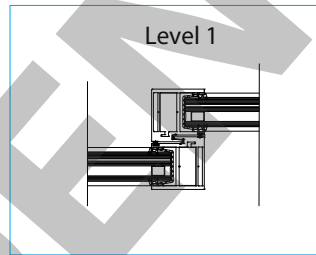
G2: 1/4" Heat Stren'd + 0.09" Interlayer + 1/4" Heat Stren'd.

G3: 3/16" Tempered glass + 3/8" Air spacer + 3/16" Heat Stren'd + 0.90" Interlayer + 1/4" Heat Stren'd.

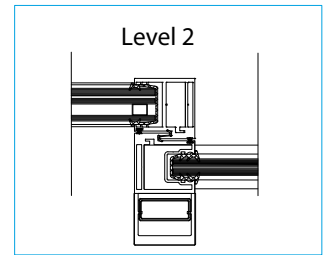
G4: 3/16" Tempered glass + 3/8" Air spacer + 3/16" Heat Stren'd + 0.90" Interlayer + 1/4" Heat Stren'd.

GLASS FINISH: Painted, serigraphy and digital printed.
NOTE: Interlayer could be SGP or PVB.

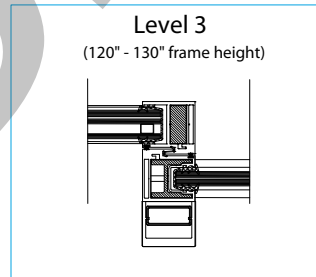
Reinforcement options



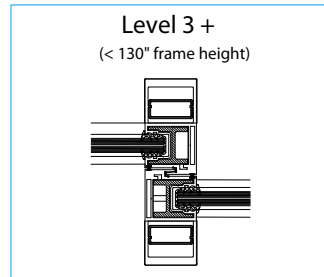
Level 1



Level 2



Level 3
(120" - 130" frame height)



Level 3 +
(< 130" frame height)

Aluminum

ALLOY 6063-T6
ALLOY 6005-T5

For more information about aluminum and finishes consult ALUTIONS®.

Sealant

APPROVED SILICONE SEALS:

WEATHERPROOFING SILICONE:

Used to seal profile unions to avoid air and water infiltration.

- Dowcorning 791 (Black-White)

STRUCTURAL SILICONE:

Besides acting as a sealant it is capable to support high loads. This silicone is commonly used to support the glass in facades and hurricane resistant products.

- Dowcorning 983
- Dowcorning 995

Measurements

Maximum sizes per panel:

Width: 48"
Height: 116 3/4"