

# ELITE SWING DOOR

www.eswindows.com

ES-EL300



## System Description

- Large missile impact and small missile impact.
- Frame depth: 4".
- Designed for laminated [7/16"] and insulating-laminated glass [1"].

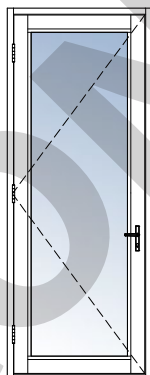
## Features

- Steel and aluminium hinges.
- ADA thresholds available.
- Pre-assembled and pre-glazed.
- Painted and anodized finishes available

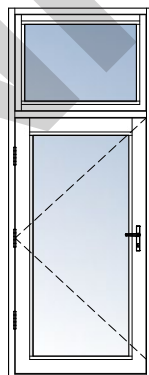
## Test

- Water infiltration: 12 psf [Standard Sill]
- Design load: +/- 80 psf

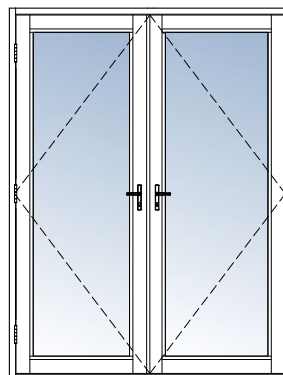
## Configurations



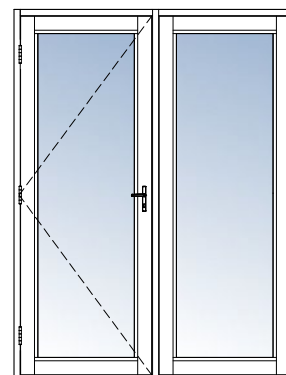
**X**  
**SINGLE**



**X**  
**TRANSOM**

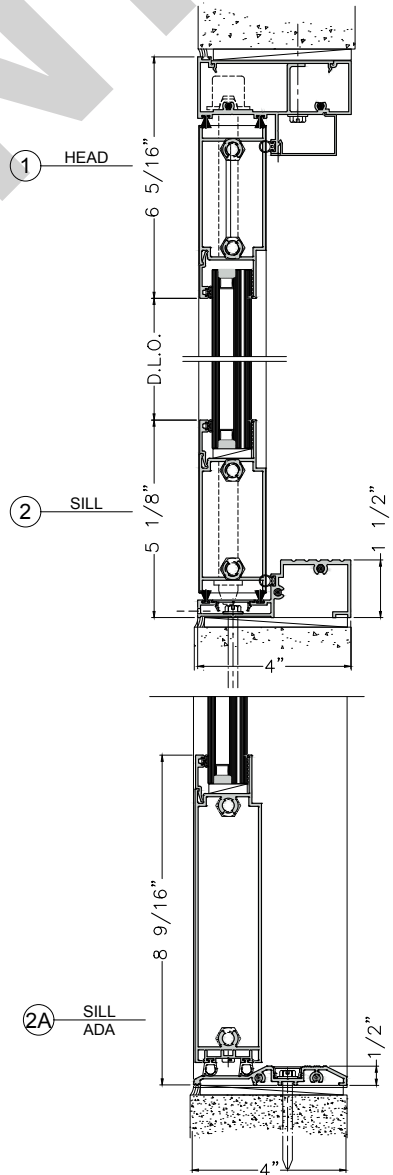
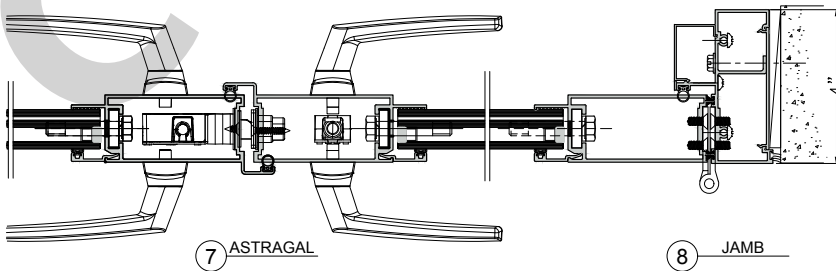
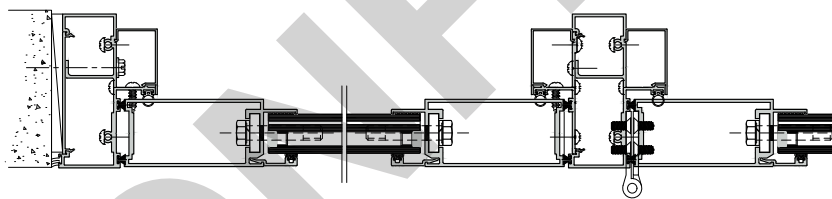
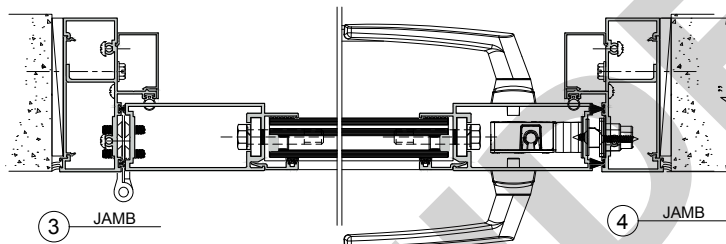
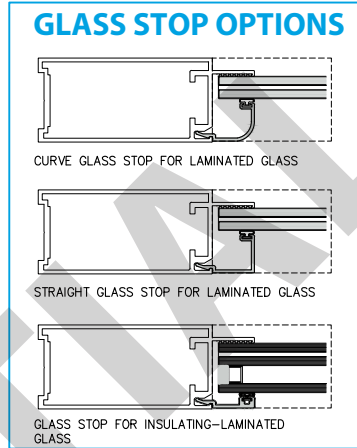
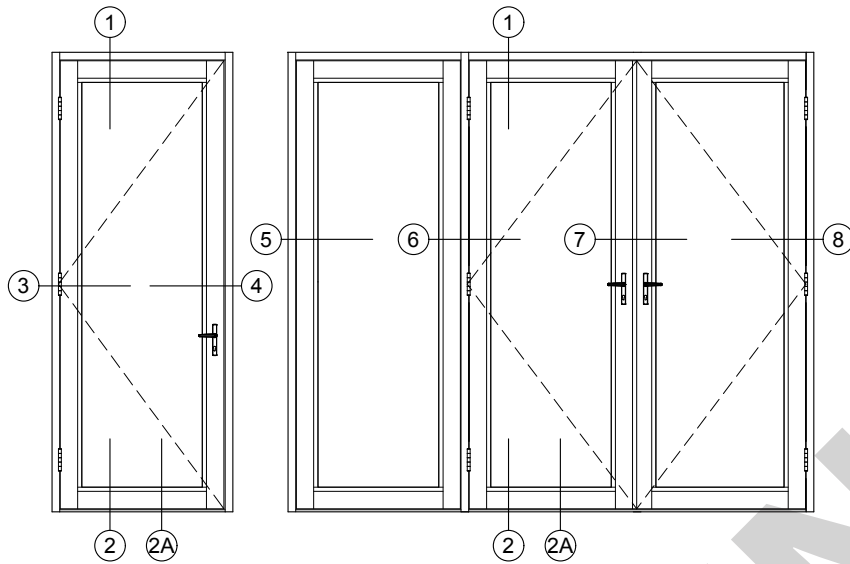


**XX**  
**DOUBLE**

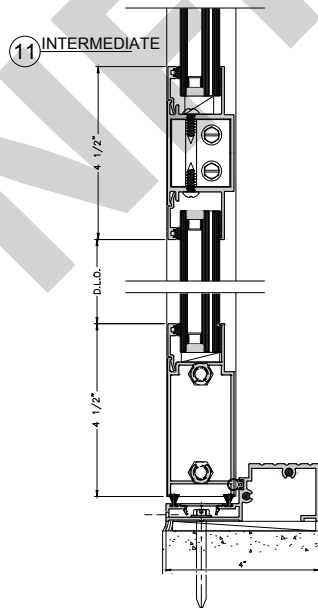
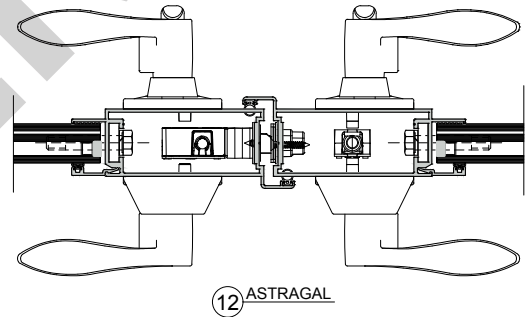
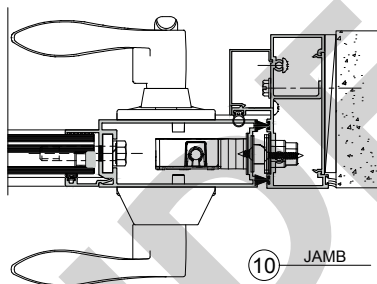
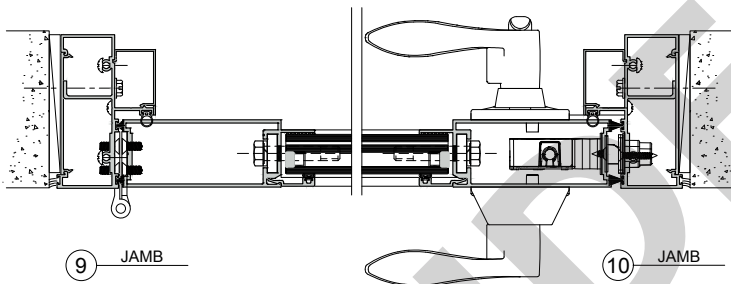
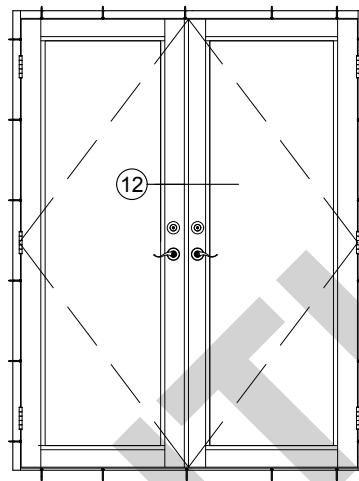
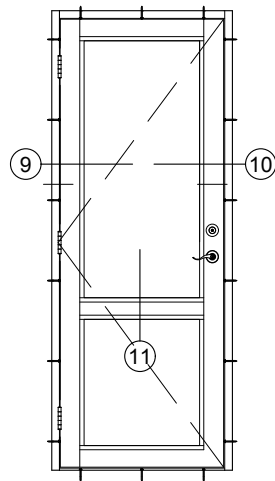


**XO**  
**SINGLE DOOR WITH FIXED**

DETAILS

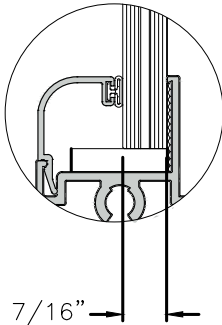


DETAILS

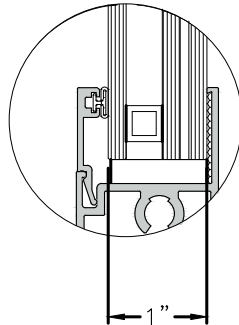


## Glazing options

Laminated glass



Insulating-laminated glass



### Designed for 7/16" laminated glass

Glass configuration: 3/16" Thnk HS + Interlayer + 3/16" Thnk HS

Interlayer options:

- 0.075 VANCEVA STORM
- 0.090 DUPONT PVB
- 0.090 SAFLEX PVB
- 0.090 SENTRY GLASS PLUS (SGP)

### Designed for 1" Insulating-Laminated Glass

Glass configuration: 3/16" Thnk HS + 3/8" Air Spacer + 3/16" Thnk HS + Interlayer + 3/16" Thnk HS

Interlayer options:

- 0.075 VANCEVA STORM
- 0.090 SAFLEX PVB
- 0.090 SENTRY GLASS PLUS (SGP)

GLASS FINISH:

PAINTED, SERIGRAPHY, DIGITAL PRINTED

For more information please contact TECNOGLASS® or visit [www.tecnoglass.com](http://www.tecnoglass.com)

## Aluminum

ALLOY 6063-T6  
ALLOY 6005-T5

For more information about aluminum and finishes consult ALUTIONS®.

## Sealant

APPROVED SILICONE SEALS:

WEATHERPROOFING SILICONE:

Used to seal profile unions to avoid air and water infiltration.

- Dowcorning 791(Black-White)

STRUCTURAL SILICONE:

Besides acting as a sealant it is capable to support high loads. This silicone is commonly used to support the glass in facades and hurricane resistant products.

- Dowcorning 983
- Dowcorning 995

## Measurements

Maximum sizes:

EL300 SWING DOOR - SINGLE: 36" X 108"  
EL300 SWING DOOR - DBL: 72" X 108"  
EL300 SWING DOOR W/SIDELITES: 144" X 96"