

FOLDING DOOR

www.eswindows.com

ES-BF5010T



System Description

- Large missile impact and small missile impact.
- Frame depth: 5".
- Frame sight line: 2"
- Sill height: 2 1/2".

Features

- Heavy duty hardware including pivots, hinges, and carriers.
- Thermally broken frames.
- ADA sill.
- Multipoint lock.

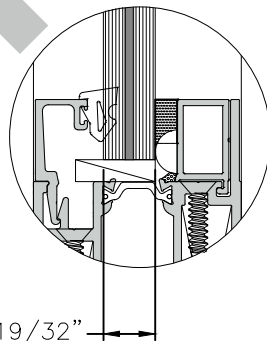
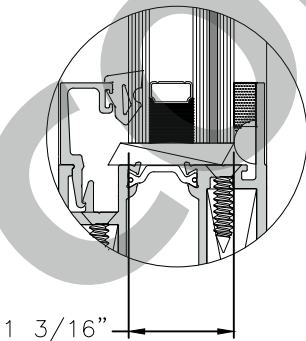
Test

- Air infiltration: 6.24 psf
- Water infiltration: 15 psf
- Design load: +/- 95 psf

Glazing options

Insulating laminated glass

Laminated glass



Designed for 1 3/16" Insulating laminated glass

- Small missile impact: 1/4" Heat Strean'd + 1/2" air spacer + 3/16" Heat Strean'd + 0.060 PVB + 3/16" Heat Strean'd.
- Large missile impact: 1/4" Heat Strean'd + 1/2" air spacer + 3/16" Heat Strean'd + 0.090 SGP + 3/16" Heat Strean'd.

Designed for 19/32" Laminated Glass

- Small missile impact: 1/4" Heat Strean'd + 0.060 PVB + 1/4" Heat Strean'd.
- Large missile impact: 1/4" Heat Strean'd + 0.090 SGP + 1/4" Heat Strean'd.

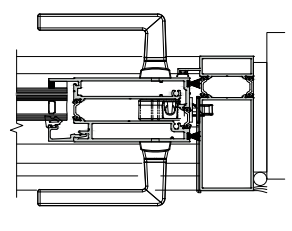
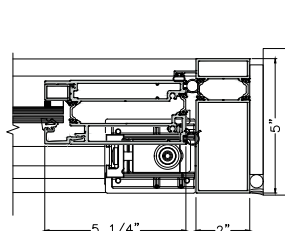
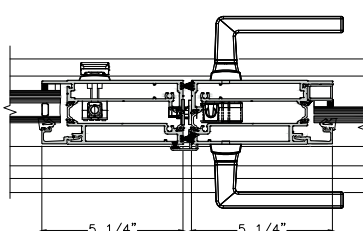
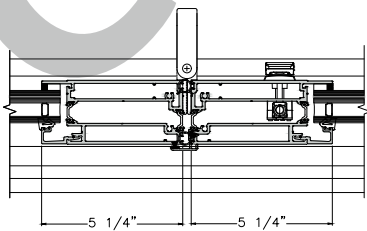
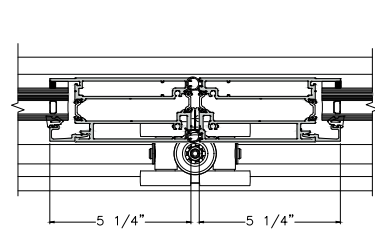
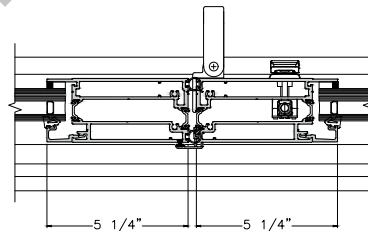
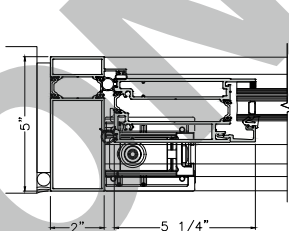
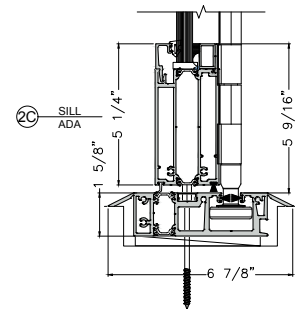
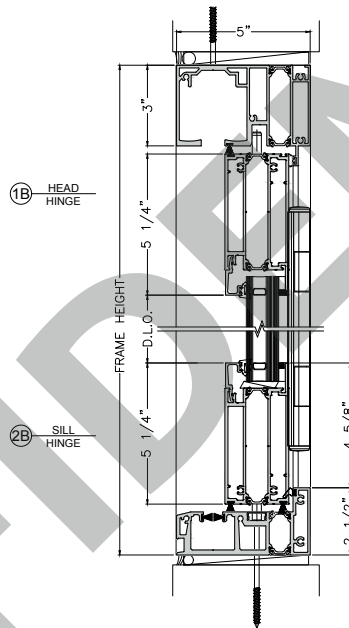
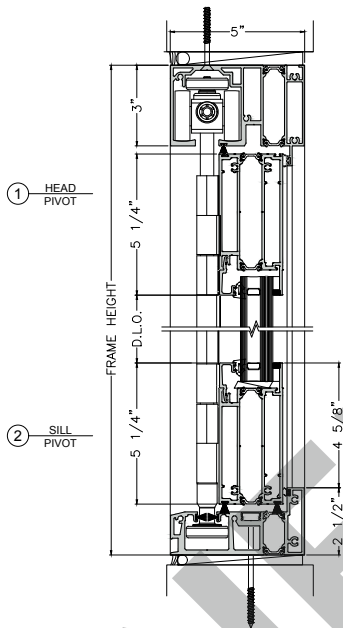
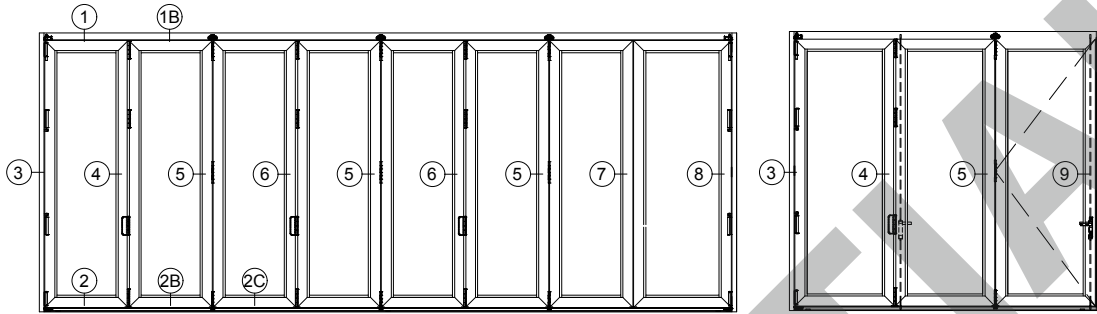
GLASS FINISH:

PAINTED, SERIGRAPHY, DIGITAL PRINTED

For more information please contact TECNOGLASS® or visit www.tecnoglass.com

System details

ES-BF5010T



Configurations

| | | | |
|------|--|------|--|
| 2L | | 2R | |
| 2L1R | | 1L2R | |
| 3L | | 3R | |
| 3L1R | | 1L3R | |
| 4L | | 2L2R | |
| 4L1R | | 1L4R | |
| 3L2R | | 4R | |
| 5L | | 2L3R | |
| 3L3R | | 5R | |
| 7L | | 3L4R | |
| 4L3R | | 7R | |
| 5L2R | | 2L5R | |
| 5L3R | | 8R | |

Measurements

Maximum sizes:
10' x 3' per panel.

Accessories



Bumper DCA Door catch

Aluminum

ALLOY 6063-T6
ALLOY 6005-T5

For more information about aluminum and finishes consult ALUTIONS®.

Sealant

APPROVED SILICONE SEALS:

WEATHERPROOFING SILICONE:

Used to seal profile unions to avoid air and water infiltration.

- Dowcorning 791 (Black-White)

STRUCTURAL SILICONE:

Besides acting as a sealant it is capable to support high loads. This silicone is commonly used to support the glass in facades and hurricane resistant products.

- Dowcorning 983
- Dowcorning 995