

INSTALLATION INSTRUCTIONS

ES-45T/46T



HSEQ REGULATIONS

Read all instructions carefully before attempting this procedure. If you have any questions about your ability to complete this procedure, contact ESWINDOWS for further direction.

If swing stages are required for installation, the HSEQ inspector must approve the permissions.

- Wear the necessary personal protective equipment for product installation.
- Take safety precautions when performing the activity.
- Please follow the steps and make sure you have appropriate personal protective equipment and follow the rules established by the guidance for working at height, if required to do so.

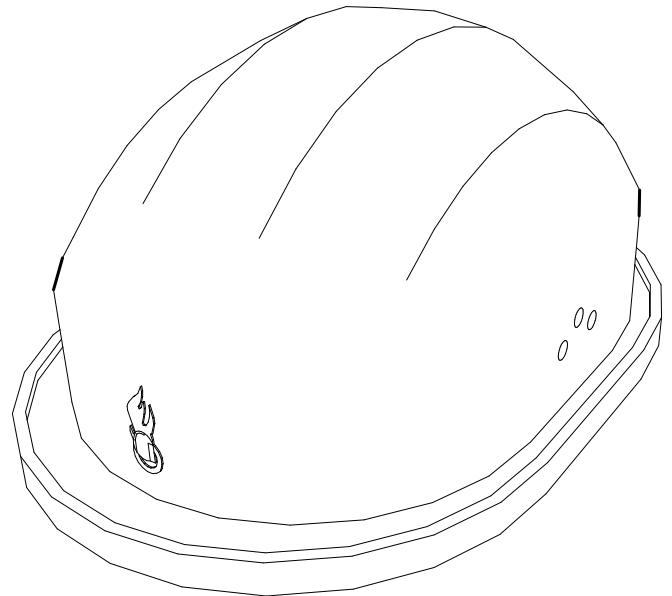
IMPORTANT:

Contractors must have and execute an adequate QA/QC policy to guarantee the product installation is within industry standards and ESW guidelines. Once the product is received in acceptance by the contractor, any damage or installation problems are no longer responsibility of ESWINDOWS.

INTRODUCTION

ES - 45T/46T, is a balcony door system. This guide illustrates step by step how to install the system properly.

Prior to installation process check that all parts and materials are in right conditions, verify that the quantities and descriptions match production drawings.



INSTALLATION INSTRUCTIONS

TOOLS AND SUPPLIES REQUIRED FOR INSTALLATION..... Pag. 2

PARTS REQUIRED FOR INSTALLATION..... Pag. 3

INSTALLATION

STEP 1
Inspection and Verification..... Pag. 4

STEP 2
Install Frame..... Pag. 5-6

STEP 3
Install Leaf..... Pag. 7

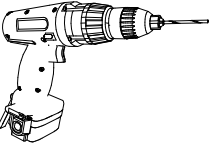

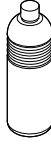
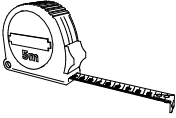

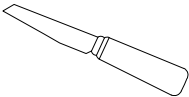
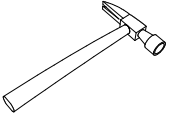
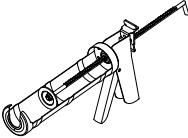
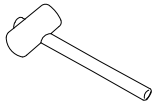
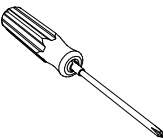
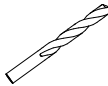
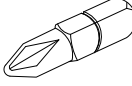
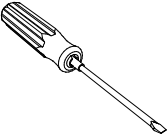
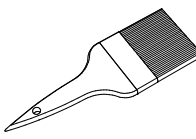
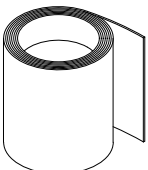
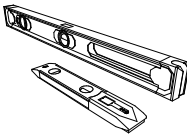
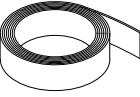
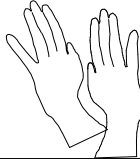
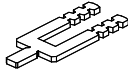
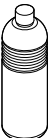
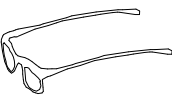
STEP 4
Install Transom..... Pag. 9-10
Install Sidelites..... Pag. 11-12




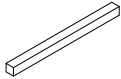
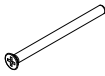


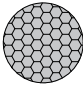
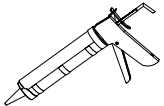
STEP 5
Install the Handle..... Pag. 13

STEP 6
Seal Perimeter..... Pag. 14

REVIEW

TOOLS AND SUPPLIES FOR INSTALLATION

Detail	Description	Detail	Description	Detail	Description
	Drill		Plumb		Thinner
	Measure tape		Thread		Knife
	Hammer		Industrial Silicone gun		Mallet
	Phillips screwdriver		Bits for concrete		Point
	Slot screwdriver		Brush		Clean rag
	Level		Masking tape		Safety gloves
	Plastic shims		Isopropyl alcohol		Safety glasses

PARTS REQUIRED FOR INSTALLATION		
PART		DESCRIPTION
BF01-6550		2 POINT LOCK MECHANISM PINNACLE 2P 35mm Ext'd F/P LKG
DL01-6115-XXX		ACTIVE HANDLE
DL01-6102-XXX		DUMMY HANDLE
DL01-6285		HANDLE PIN
DL01-5004		ATTACHMENT SCREWS
ES-45T-019		HEAD / JAMB OPTIONAL STRAP ANCHOR
ES-45T-015		SIDELITE GLASS STOP COVER REGULAR
		BACKER ROD
D.S 791		SILICONE

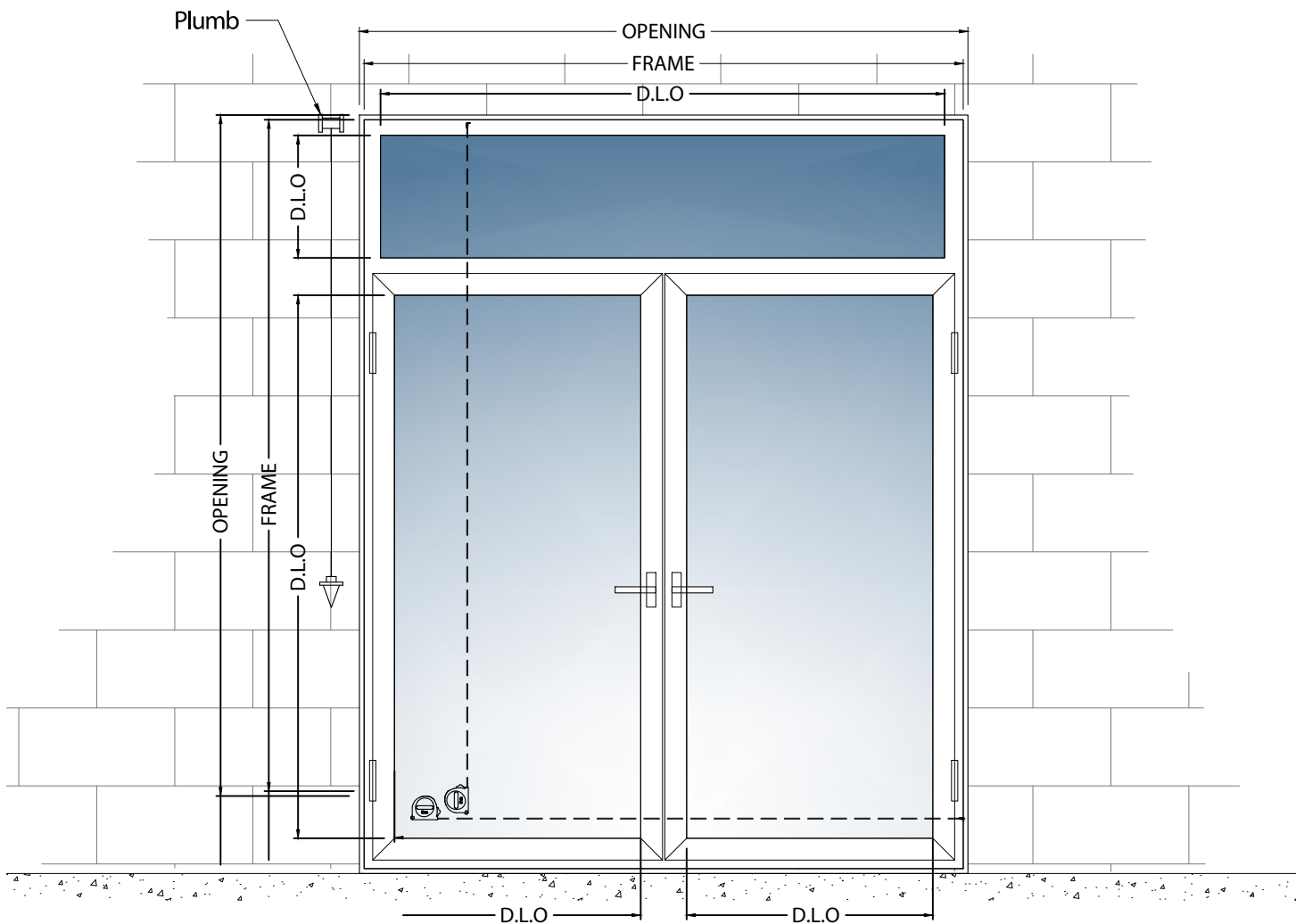


Verify technical manuals and guides by sealant manufacturers to apply silicone correctly.

STEP 1

INSPECTION AND VERIFICATION:

- 1.1. Verify the rough opening for the correct size as determined by dimensions listed in architectural specifications and shop drawings.
- 1.2. Check all the material upon arrival for quantity and damage.
- 1.3. Remove all materials that interfere with the proper installation of the unit.
- 1.4. If you have any irregularities notify the project manager.



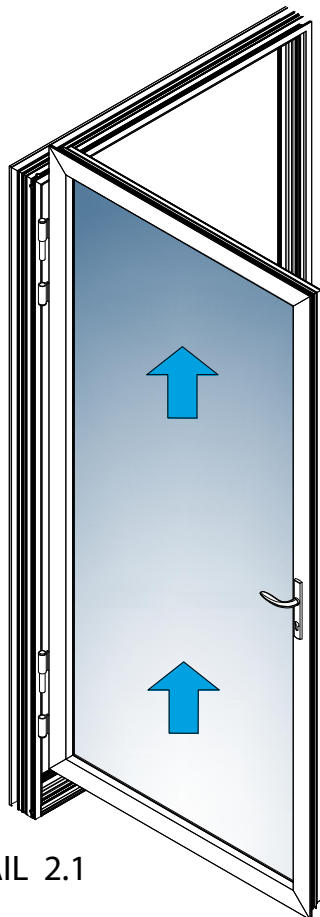
STEP 2

INSTALL FRAME:

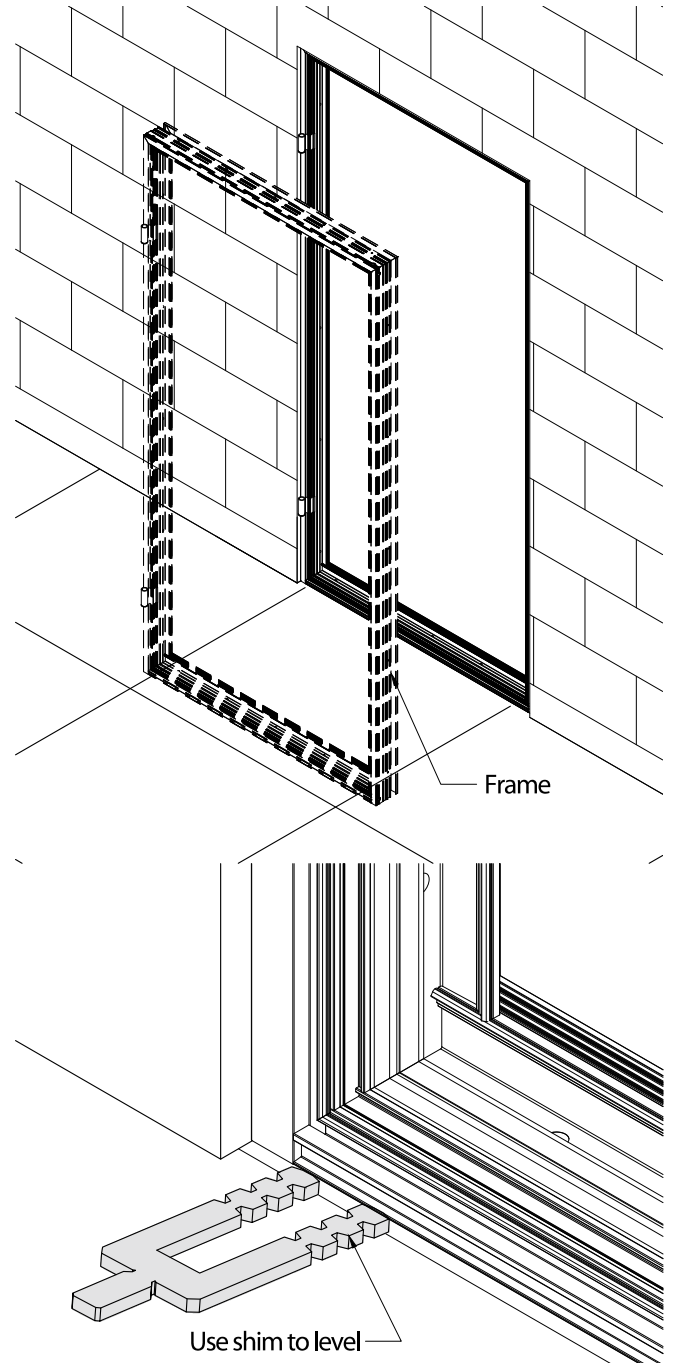
- 2.1. Remove the leaf. Open the door and separate it from the frame by lifting it up.
- 2.2. Clean the opening and place the frame. Level the sill, head and jambs using the shims as shown in detail 2.2.
- 2.3. Check frame for squareness by measuring diagonally across the frame at identical parts.



Do not use anything else different from the shims to level the frame.



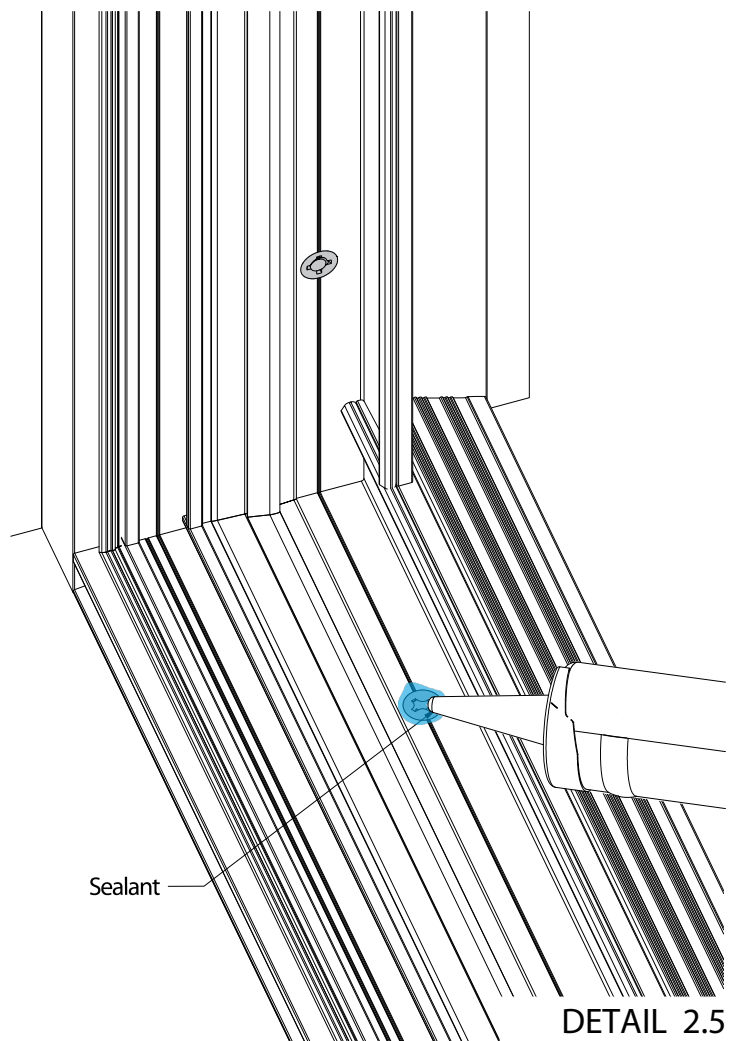
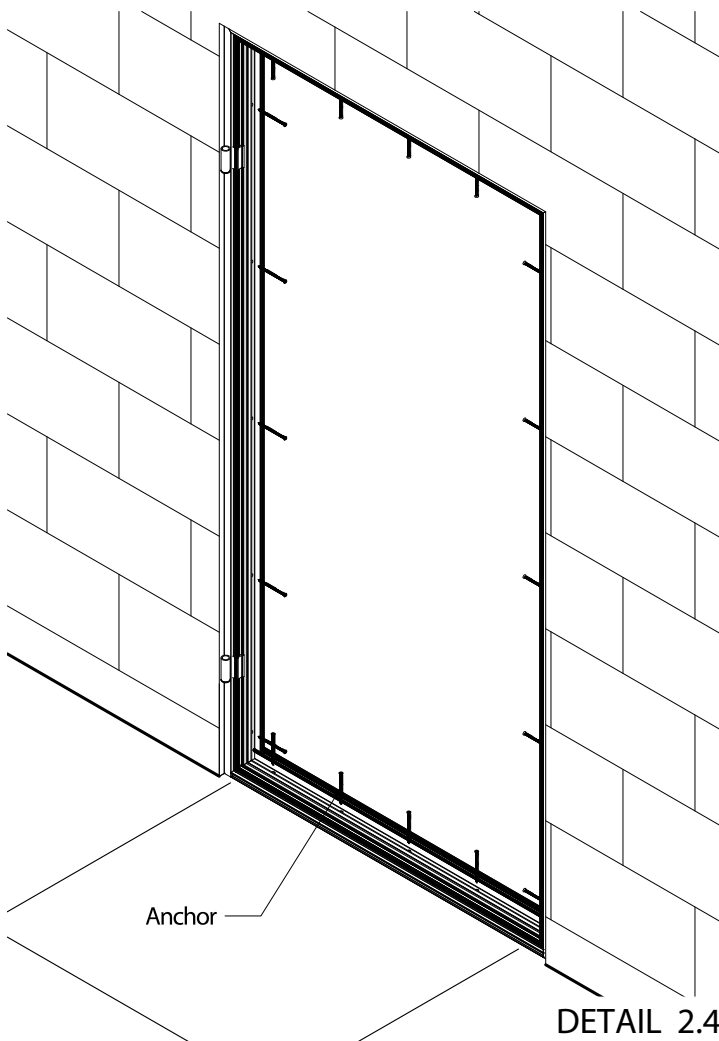
DETAIL 2.1



DETAIL 2.2

2.4. Fix the frame, use the holes in the frame to put the anchors. See the architectural specifications in the shop drawings to verify the spacing of the anchors.

2.5. Apply sealant to the top of the anchors as shown in detail below.

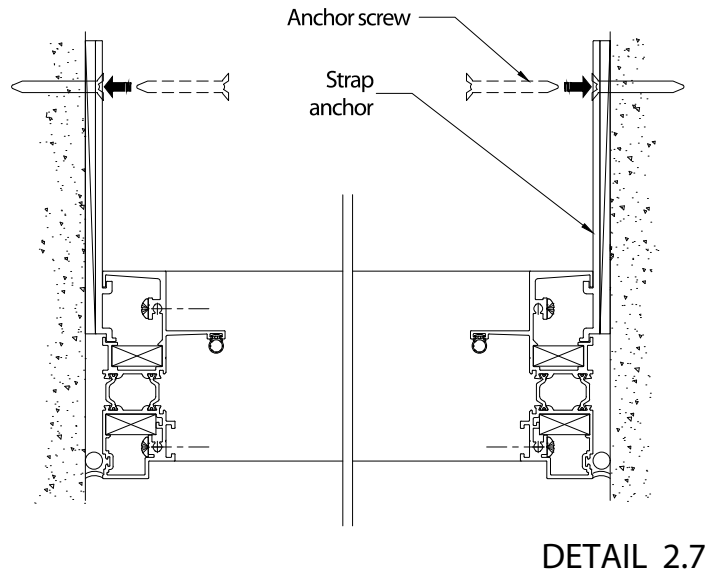
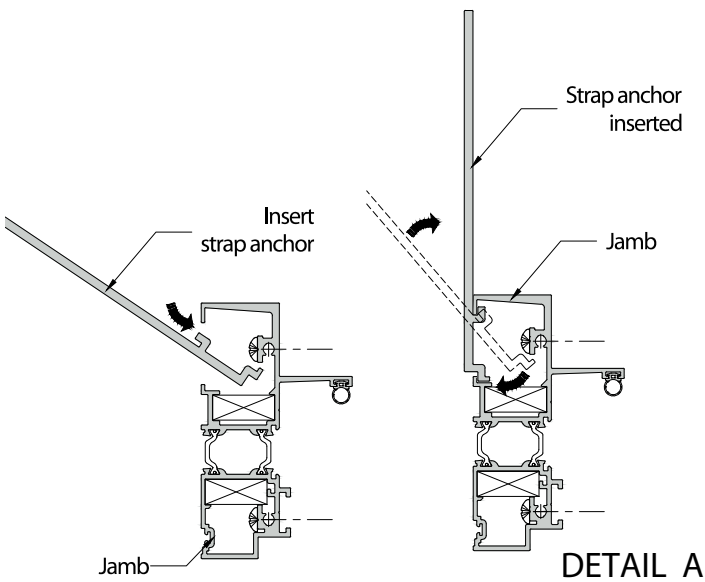
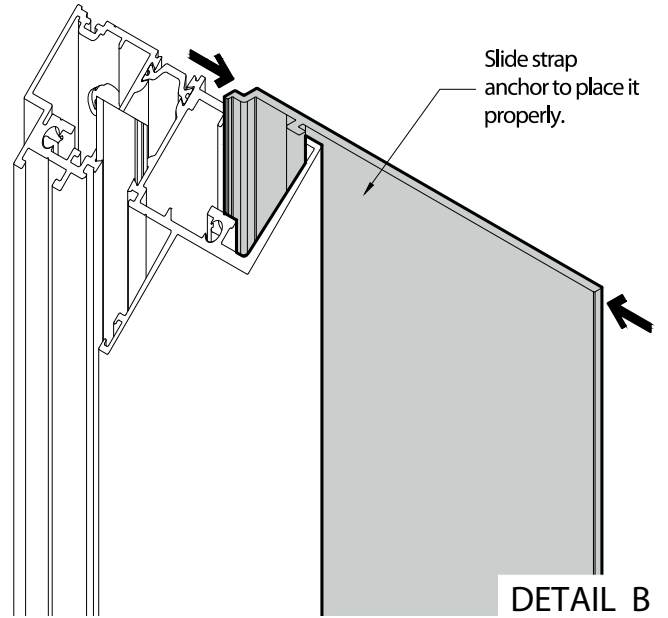


INSTALL FRAME WITH STRAP ANCHOR:

- 2.6. Insert strap anchors (A) and slide (B) into the head/sill or jambs per required, as shown in detail.
- 2.7. Clean the opening properly, place the frame and install by following steps 2.2 - 2.5 (page 6-7).



Verify structural specifications for strap anchor location.



STEP 3

INSTALL LEAF:

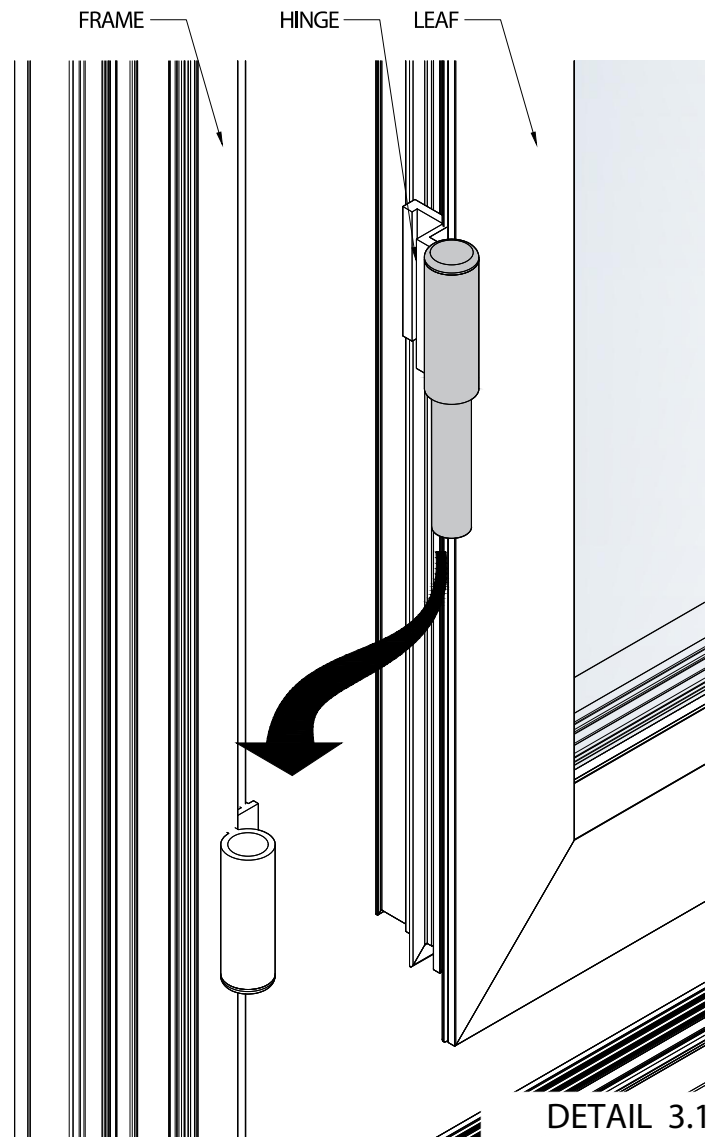
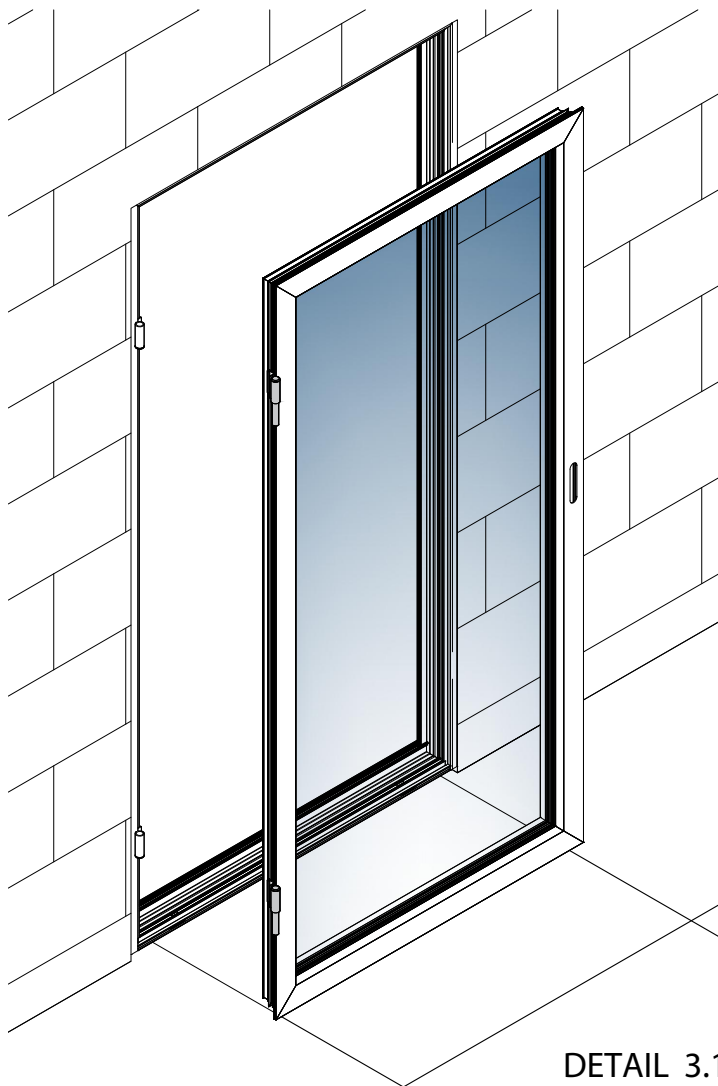
3.1. Place the leaf on the frame, use the hinges to insure the leaf as is shown in the detail.



Verify that the hinges are attached before releasing the door.



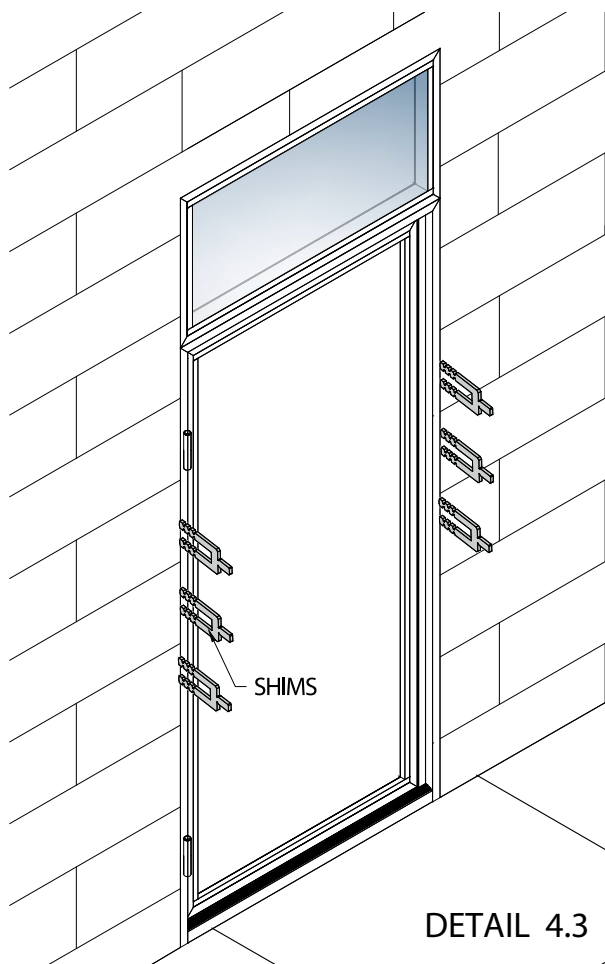
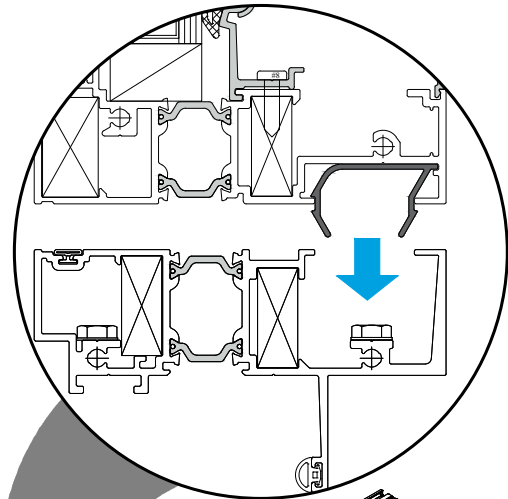
Operate the door after installation to make sure hinges are working properly.



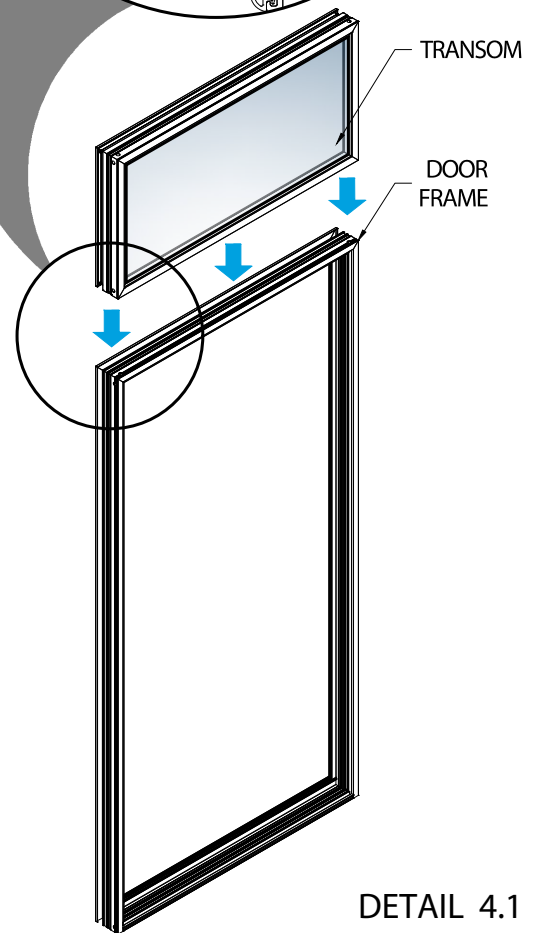
STEP 4

INSTALL TRANSOM:

- 4.1. After removing the door, snap transom by pushing the snap clip onto the head of the frame.
- 4.2. Clean the opening and place the frame + transom.
- 4.3. Level it using the shims. See detail 4.3.
- 4.4. Fix the frame as shown in step 2.4 (page 6-7) then fix transom using anchor screws.



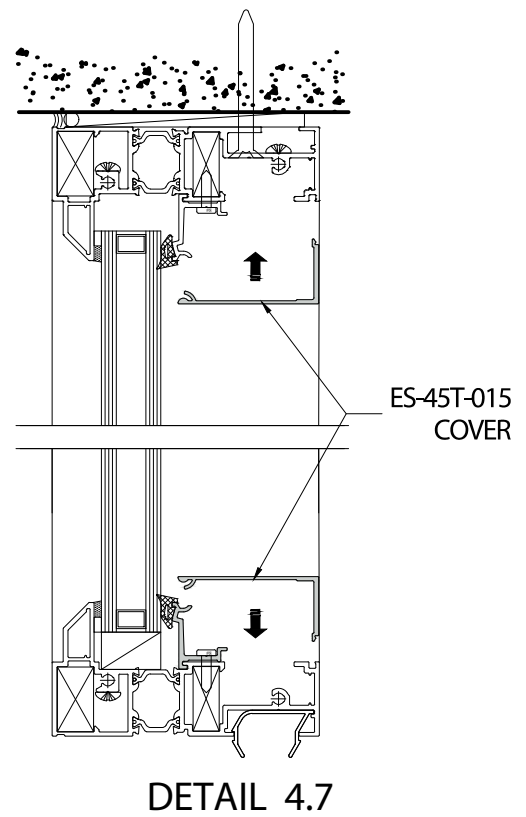
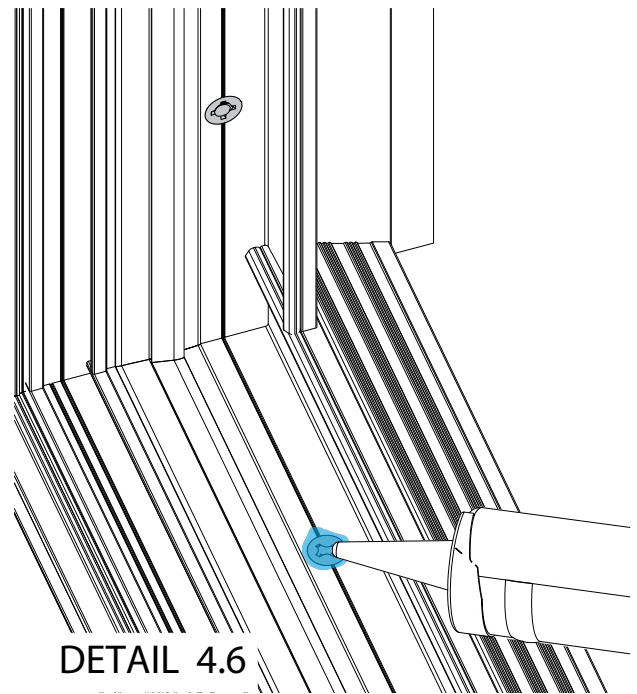
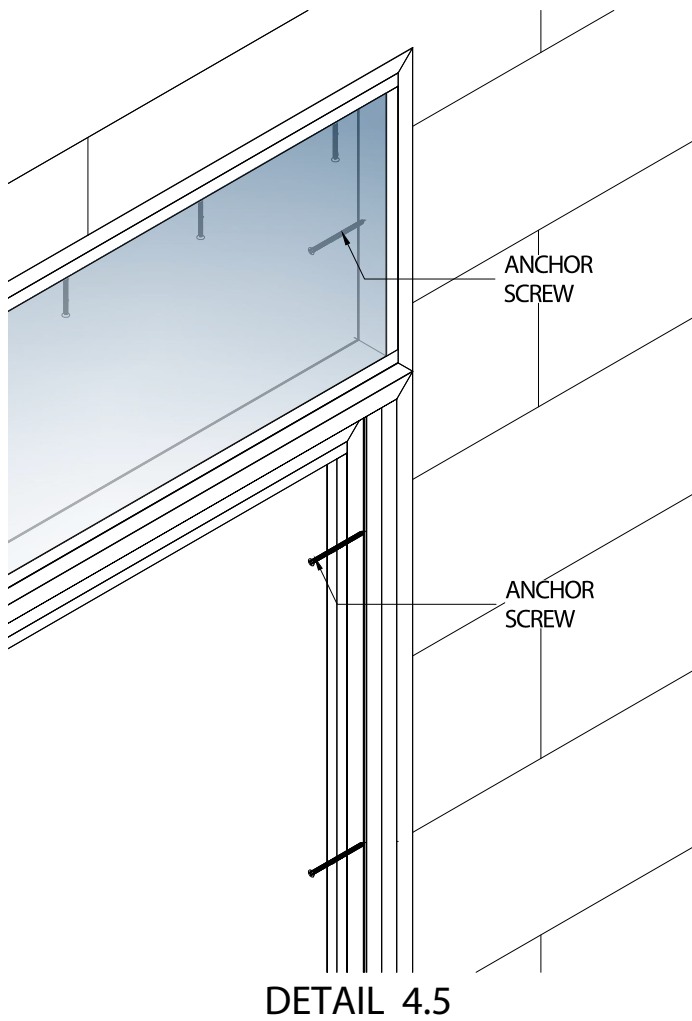
DETAIL 4.3



DETAIL 4.1

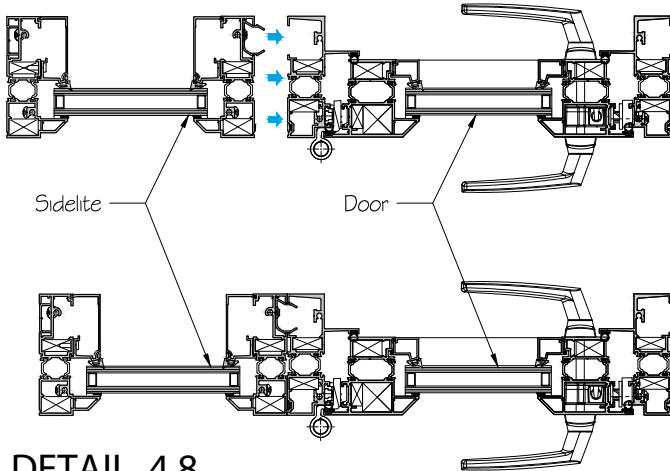
4.5. Apply sealant to the top of the anchors as shown in detail 4.6.

4.6. Place the sidelite Glass stop cover (ES-45T-015) as shown in detail 4.7.



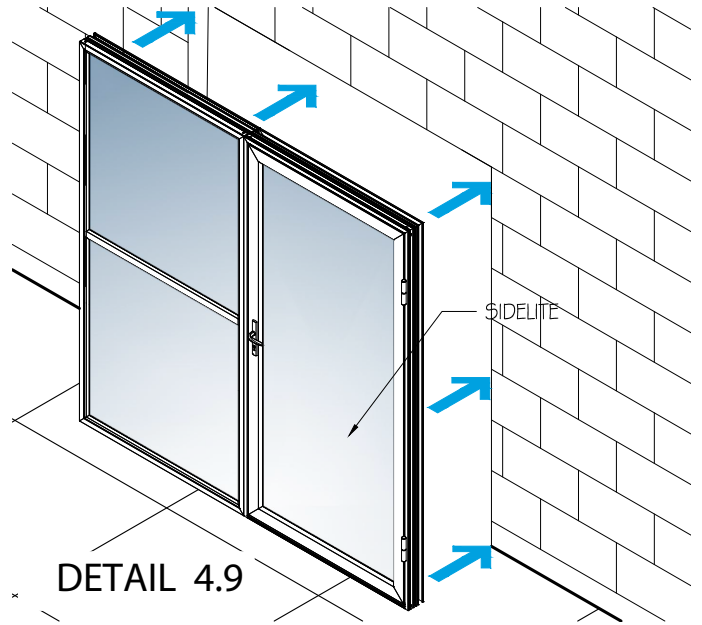
INSTALL DOOR WITH SIDELITE:

4.8. Snap the door frame and sidelite unit as shown in the detail 4.8.



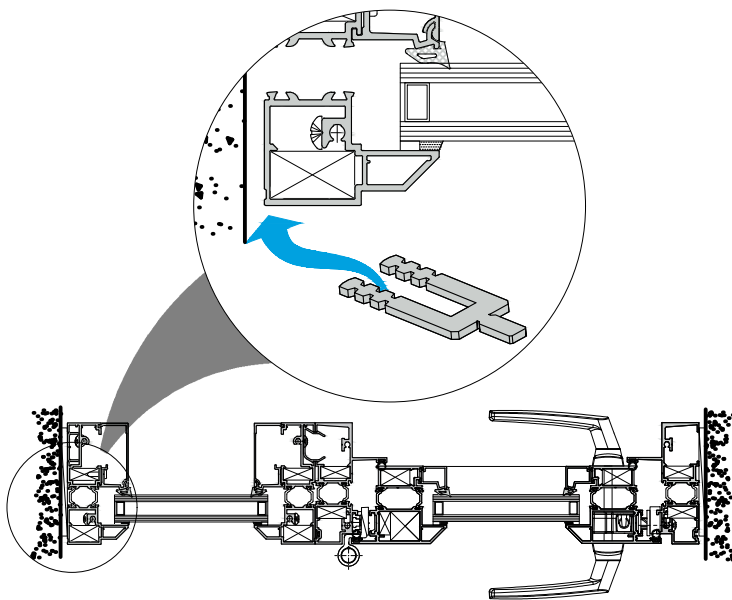
DETAIL 4.8

4.9. Clean the opening and place the frame



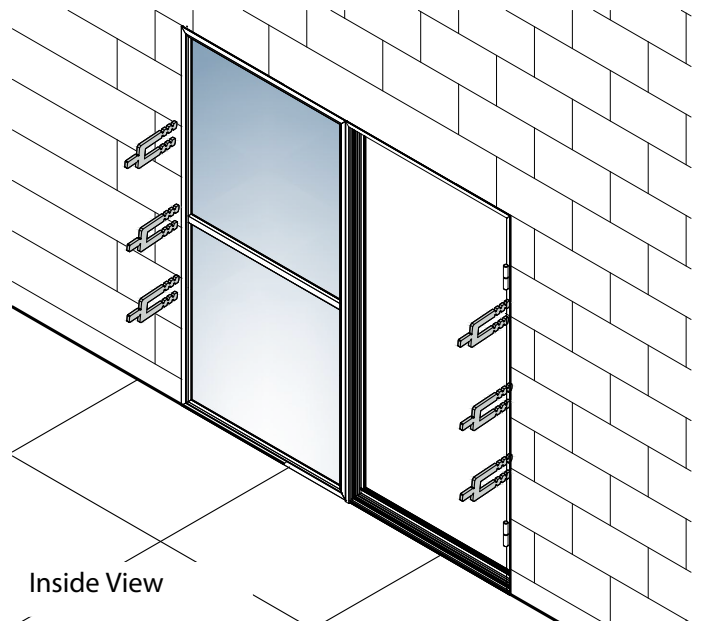
DETAIL 4.9

4.10. Remove the door as shown in step 2.1 (page 5)



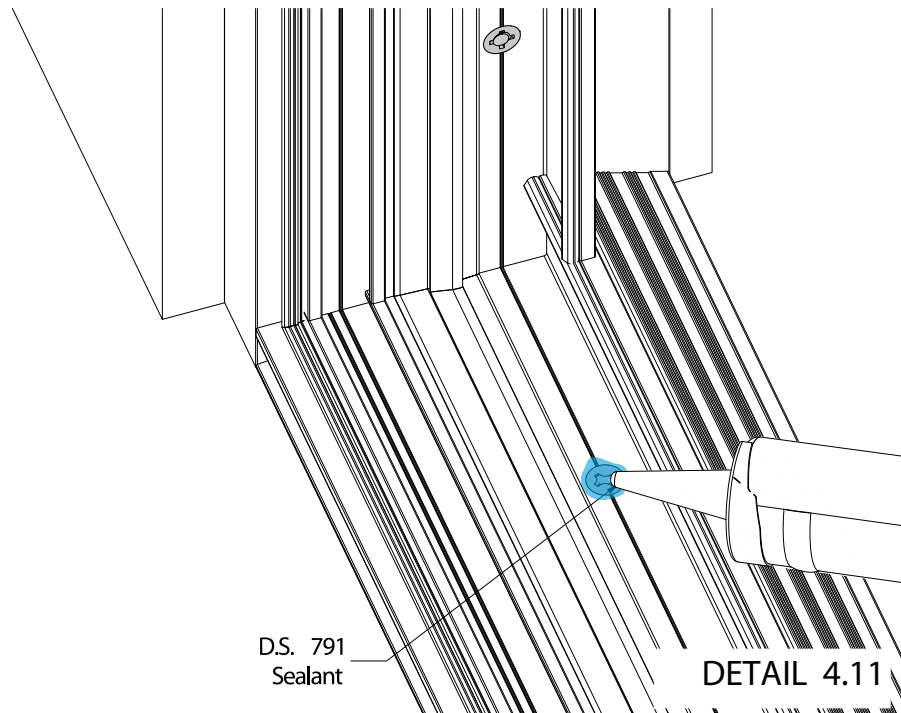
DETAIL 4.11

4.11. Level the frame and sidelite using shims. Use anchors screws to fix the frame in place, using the fabrication holes as shown in step 2.4.

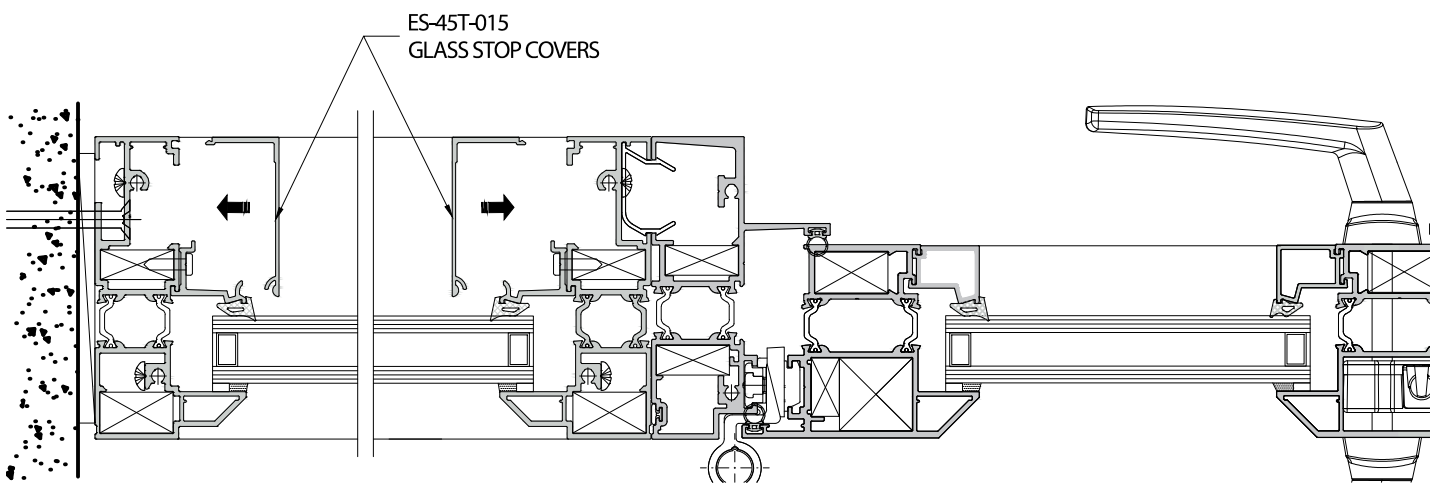


Inside View

4.11. Apply sealant to the top of the anchor screws as shown in detail 4.11



4.12. Place the Sidelite Glass Stop Cover (ES-45T-015) as is shown in the detail below.



STEP 5

INSTALL THE HANDLE:

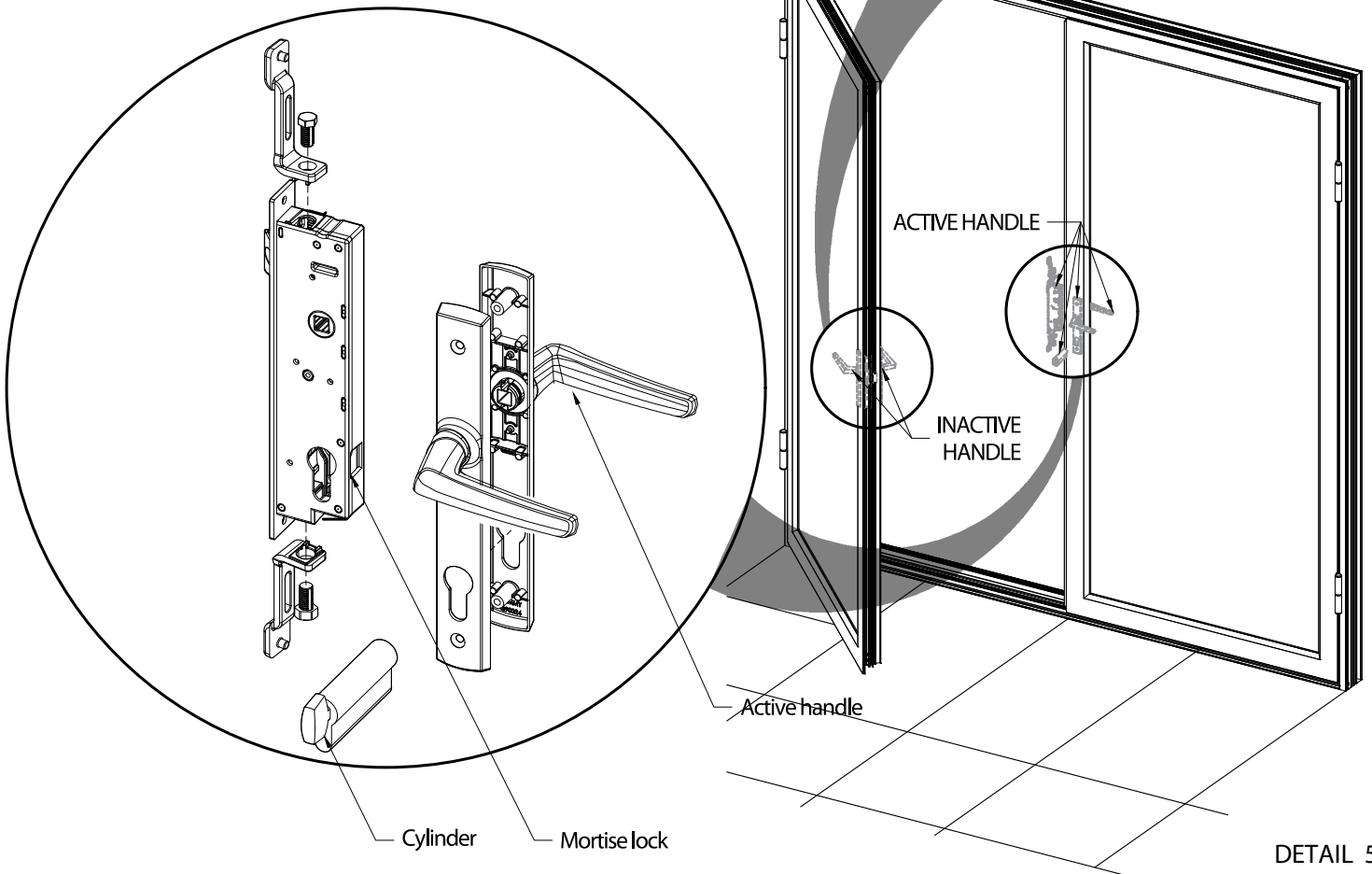
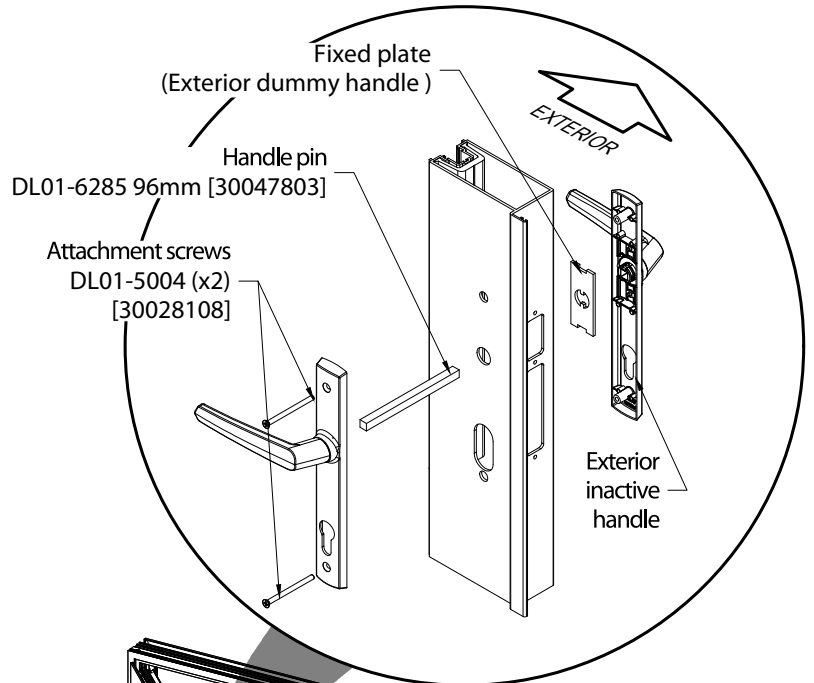
5.1. Place the active and inactive handle as shown in detail.



Pins, attachment screws and plate for the active handles are included in the handle kit.



Pins and attachment screws are not included in dummy handle kit and must be requested separately

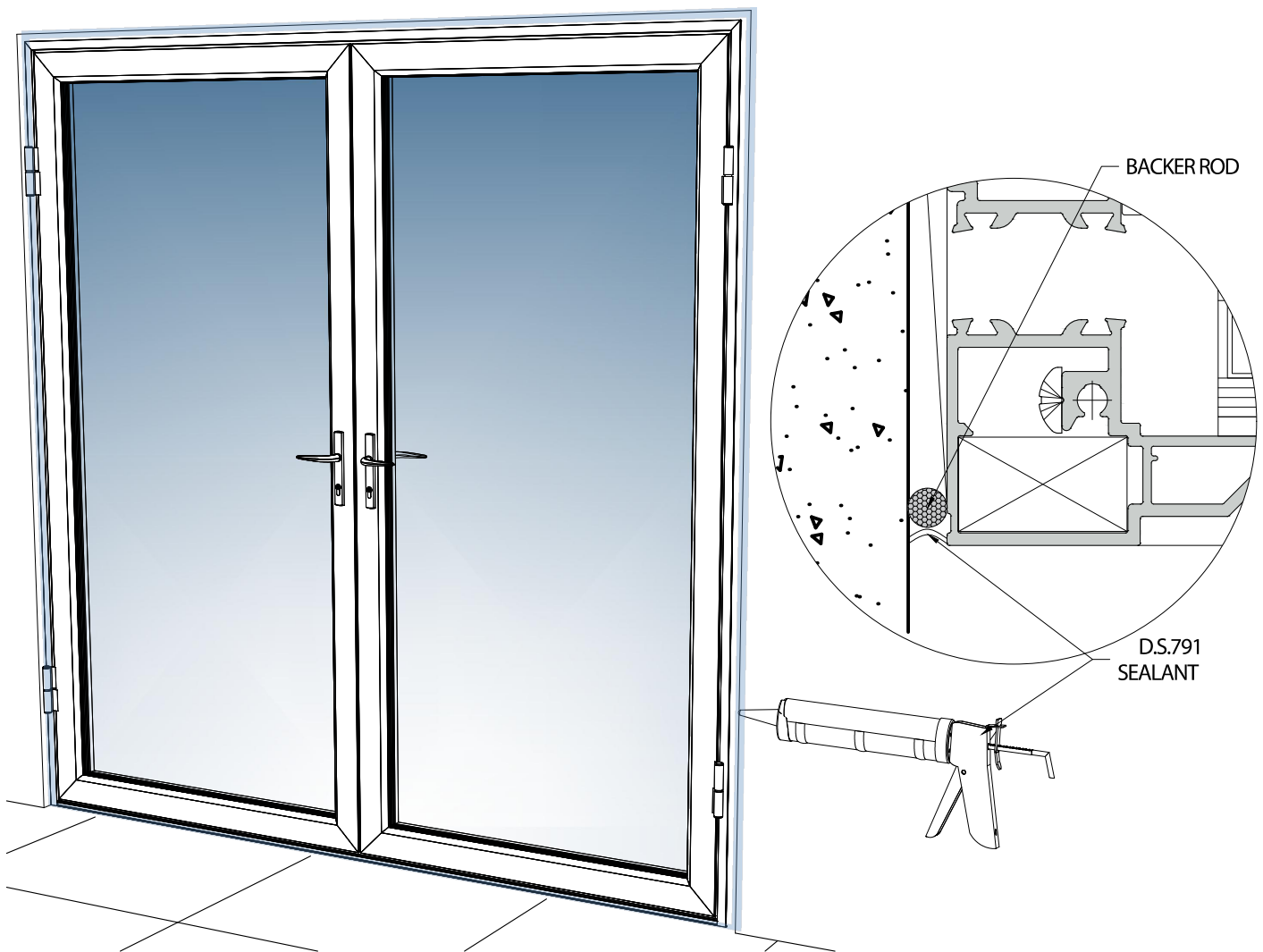


DETAIL 5.1

STEP 6

SEAL DOOR PERIMETER:

6.1. Insert backer rod and apply D.S. 791 sealant in all the perimeter of the frame.



DETAIL 6.1

INSTALLATION INSTRUCTIONS

REVIEW No.	DATE	DESCRIPTION	PAGE.	BY.
1	JUNE 19 2014	EXTRUSIONS AND MISCELLANEOUS LIST UPDATE	4,5	--
2	JANUARY 13 2017	STRAP ANCHOR INSTALLATION PROCESS WAS INCLUDED	10	MC
3	MARCH 28 2017	EXTRUSIONS AND MISCELLANEOUS LIST UPDATE	4,5	DT
4	FEBRUARY 8 2019	INACTIVE HANDLE INSTALLATION PROCESS WAS INCLUDED	15	MC
5	MAY 3 2019	PLATE AND PIN FOR DUMMY HANDLE WAS REMOVED	15	MC
6	JULY 18/2019	GENERAL UPDATE, NOTE ABOUT INACTIVE HANDLE PIN ADDED	14	AG
7	JULY 19/2019	INSTALLATION INSTRUCTIONS FOR ES-45T AND ES-46T MERGED ON THIS DOCUMENT		AG

Av. Circunvalar a 100 mts de la Via 40 Las Flores
Barranquilla, Colombia PBX: (57 5) 3664600
service@eswllc.com, PBX: (+1) 305 5074545

BY Andres González Palmett